

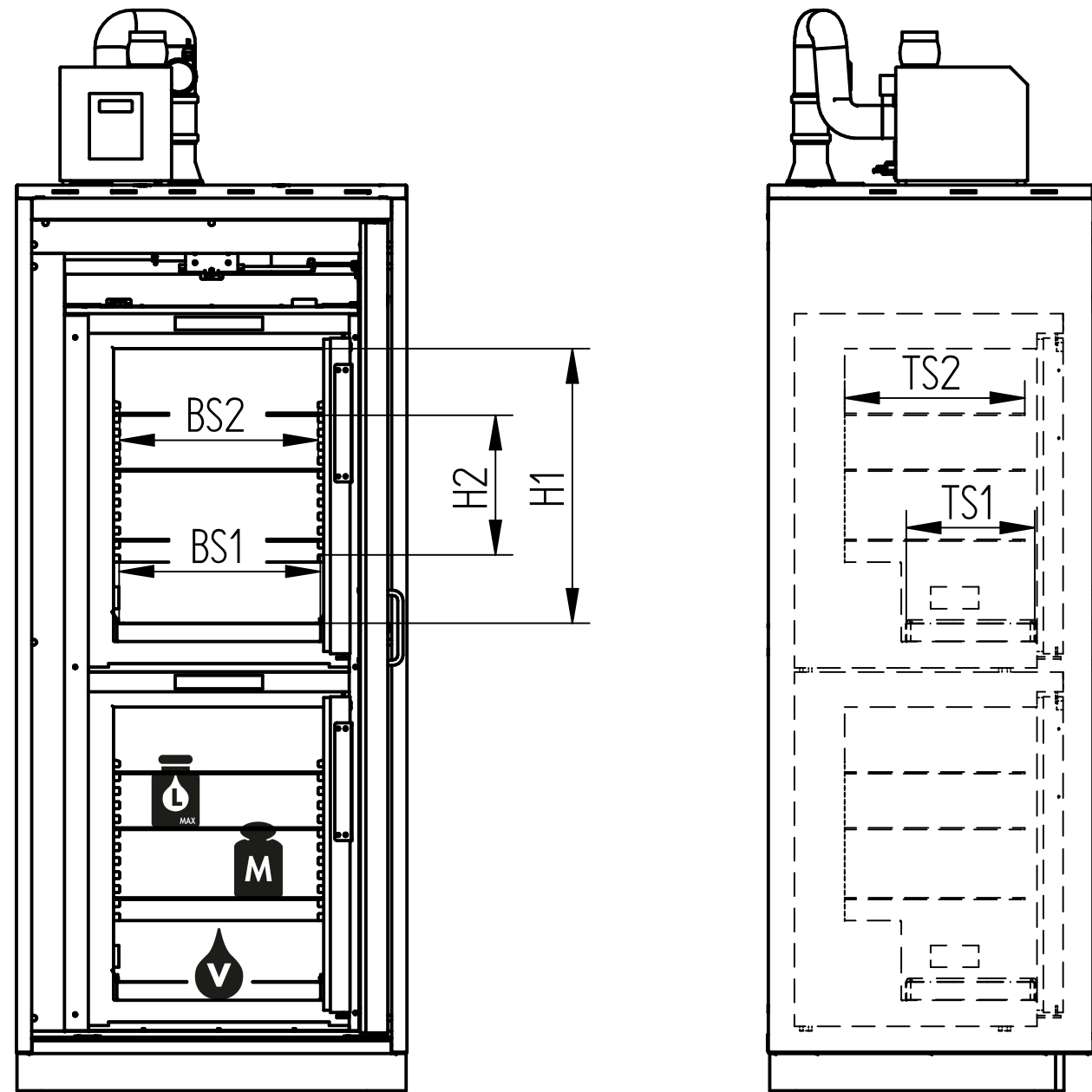


	Model type
	XL
H (mm)	2045
B (mm)	894
T (mm)	747
T1 (mm)	1535
Doors	1
Empty weight (kg)	475

Outer dimensions

This drawing is our property! Furnish this information to other persons and reproduce or copy is not permitted without our written permission.	title: Safety cabinet type 90 COOL dual XL		
	drawing no: 000111306	page: 1 of 5	
Düperthal Sicherheitstechnik Frankenstrasse 3 D-63791 Karlstein	revision: 00	date: 2021-03-31	





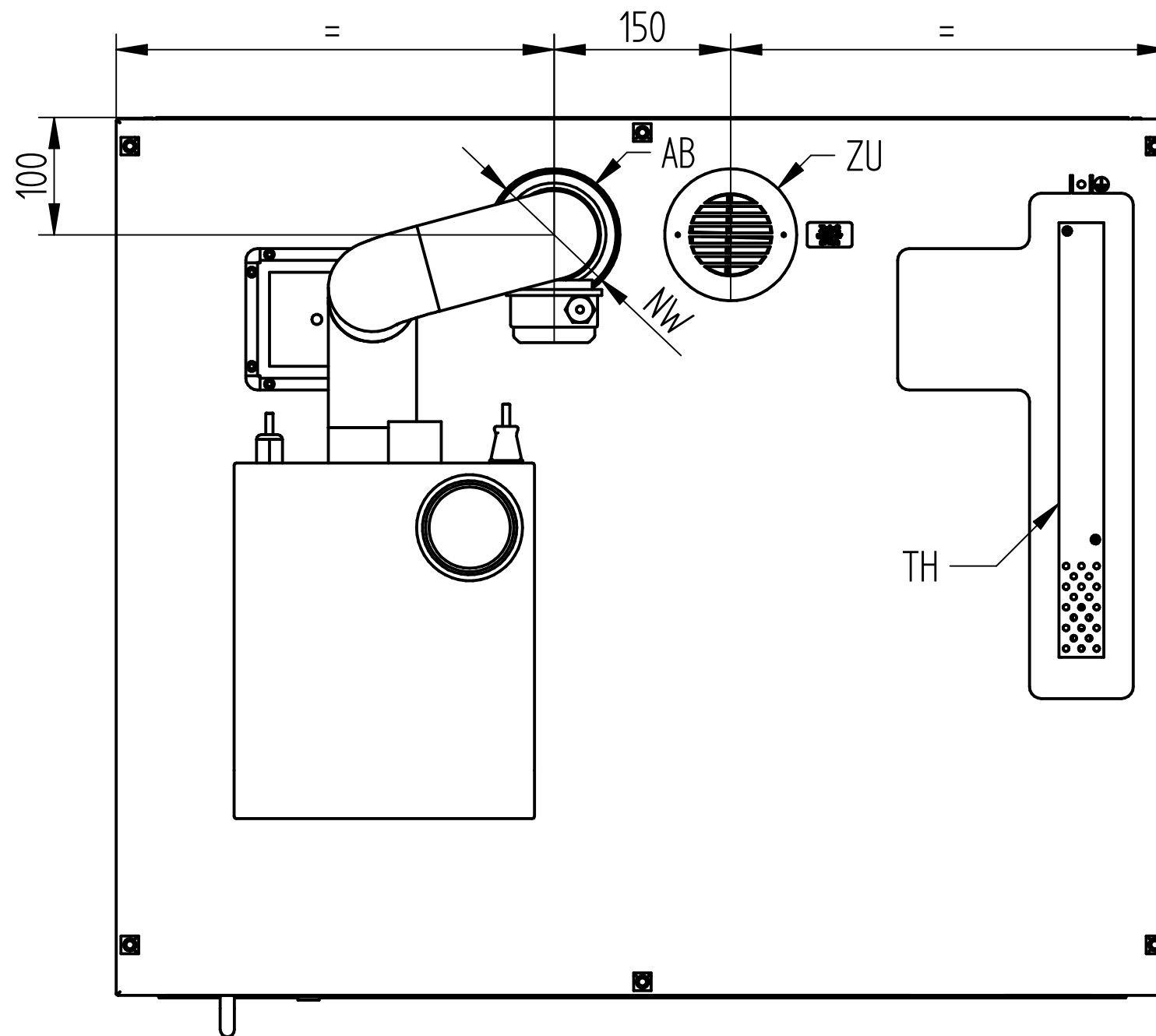
	Model type
	XL
H1 (mm)	628
H2 (mm)	11 Settings in the grid 32
BS1 (mm)	460
BS2 (mm)	450
TS1 (mm)	294
TS2 (mm)	410
M (kg)	40
L (l)	5
V (l)	5,5
Number of glass shelves	2x 3
Max. payload (kg)	240
Max. permissible total weight (kg)	715

- H1: Adjustable height above shelf
- H2: Grid height for glass storage shelf
- BS1: Glass storage shelf standing surface width
- BS2: Shelf standing surface width
- TS1: Glass shelf standing surface depth
- TS2: Shelf standing surface depth
- M: Standing surface load bearing capacity
- L: Max. volume of largest individual container
- V: Max. collection volume

Technical and electrical data	Mode type
	XL
Cooling area volume (m ³)	2x 0,13
Refrigerant / Refrigerant quantity (g)	R600a / 2x 24
Temperature range (°C)	+3 - +15
Climate class	7
Connection voltage (V)	220 - 240
Frequency (Hz)	50
Current consumption (A)	1,0
Connector type (venting system)	Typ F (CEE 7/4)
Connecting cable length (m)	1,80

Inner dimensions

This drawing is our property! Furnish this information to other persons and reproduce or copy is not permitted without our written permission.	title: Safety cabinet type 90 COOL dual XL		
	drawing no: 00011306	page: 2 of 5	
Düperthal Sicherheitstechnik Frankenstrasse 3 D-63791 Karlstein	revision: 00	date: 2021-03-31	



NW: 110, with adapter 75
 AB: Exhaust air connection
 ZU: Supply air
 TH: Thermocouple

Ventilation connection

This drawing is our property!
 Furnish this information to other
 persons and reproduce or copy is
 not permitted without our
 written permission.

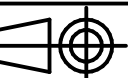
title: Safety cabinet type 90
 COOL dual XL

drawing no: 000111306

page: 3 of 5

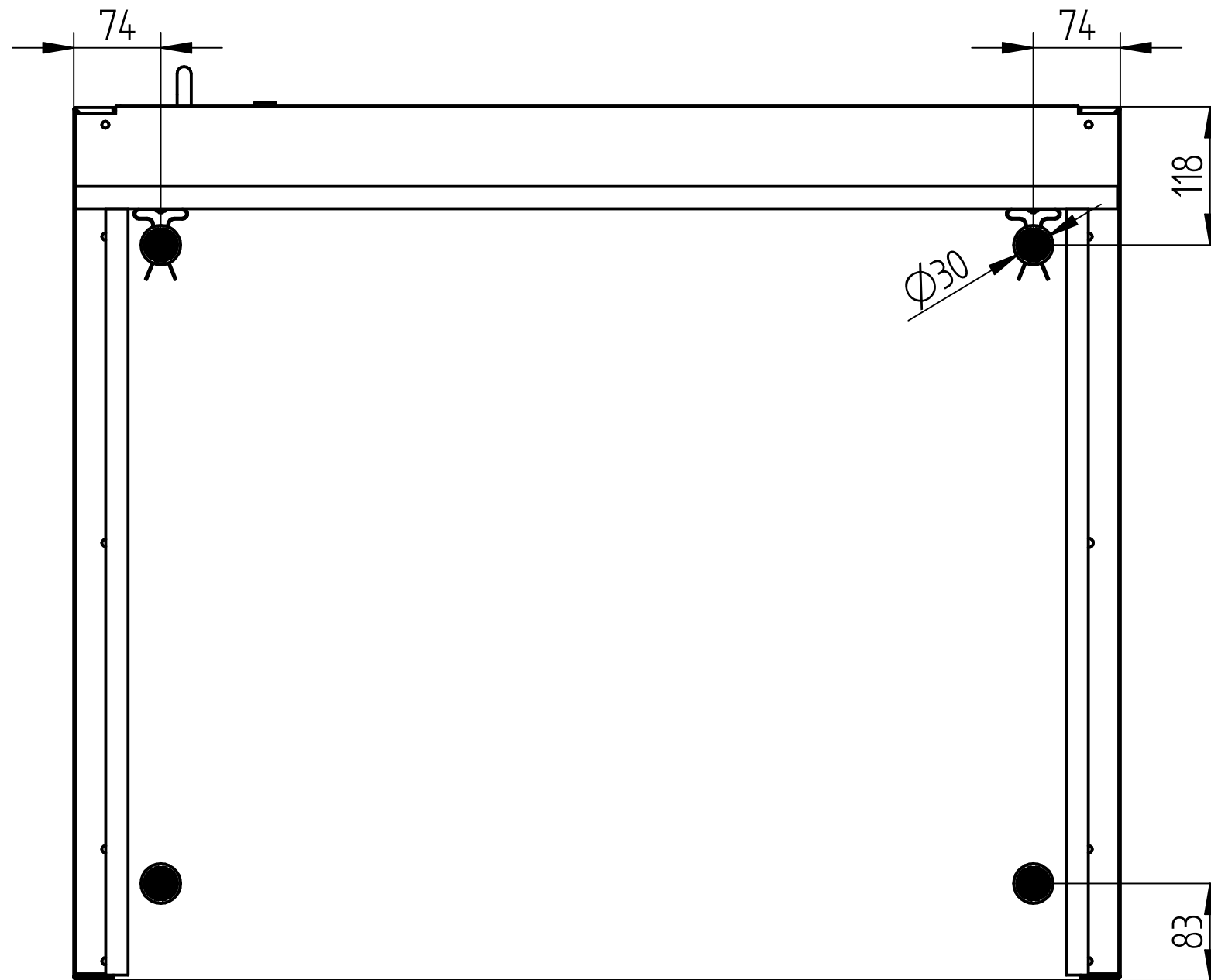
revision: 00

date: 2021-03-31



Düperthal Sicherheitstechnik
 Frankenstrasse 3
 D-63791 Karlstein

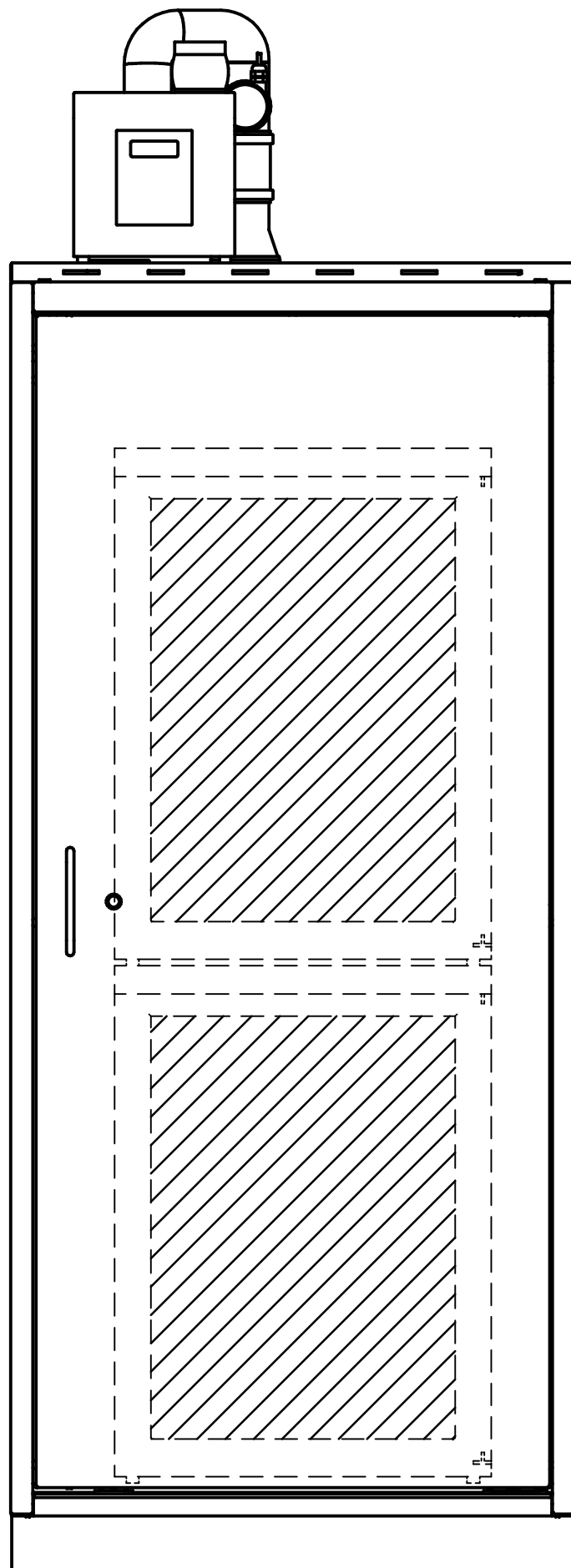
DÜPERTHAL



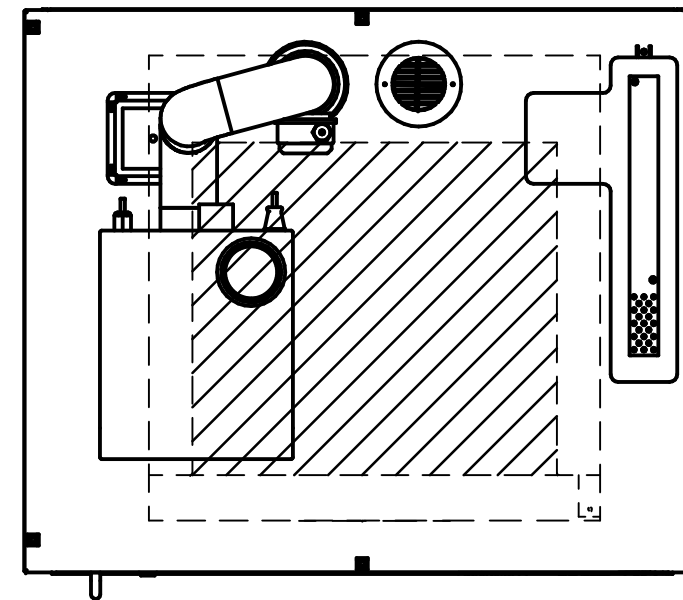
● Loaded footprint

Geometry of the adjustable feet

This drawing is our property! Furnish this information to other persons and reproduce or copy is not permitted without our written permission.	title: Safety cabinet type 90 COOL dual XL		
	drawing no.: 000111306	page: 4 of 5	
Düperthal Sicherheitstechnik Frankenstrasse 3 D-63791 Karlstein	revision: 00	date: 2021-03-31	



Top view



Ex-Zones

This drawing is our property! Furnish this information to other persons and reproduce or copy is not permitted without our written permission.	title: Safety cabinet type 90 COOL dual XL		
	drawing no: 00011306	page: 5 of 5	
Düperthal Sicherheitstechnik Frankenstrasse 3 D-63791 Karlstein	revision: 00	date: 2021-03-31	