



ACTIVE STORAGE

Safety storage cabinets in modern design



Type 90

For active storage
of flammable liquids



Welcome to DÜPERTHAL, Welcome to the Original!

As a leading German quality and technology enterprise, we set the standards when it comes to designing system solutions for process-optimised storage of chemicals and hazardous materials. All of our products and solutions are tailored specifically to meet your requirements. Aside from maximum safety, they offer the highest levels of effectiveness and efficiency – even in situations where there is no risk of fire. We are therefore providing you, as the customer, with reassurance. This is what we, as a family-run company, stand for. The original is what we stand for.



Safeguarding your values –

Since 1973, and into the future

For more than forty years, we have been setting standards in our industry. As our customer, you benefit from our technological and commercial know-how: expertise that has been demonstrated in numerous reference projects for renowned international organisations. We constantly raise the bar, continuing to enhance our safety solutions so that we can help safeguard your values, also in the future.



Delivering the perfect system solution –

Customised designs, if needed, TÜV-certified prior to installation.

In addition to standard products of exceptional quality, we are the only company on the market to also offer customised, TÜV-certified system solutions that do not require acceptance on delivery. From consultation to components, installation and routine maintenance – we always strive to offer the best possible added value from the perspective of technical safety and operational management.



Helping you stay one step ahead –

With service and personal communication

By choosing a DÜPERTHAL solution, you are also gaining a strong, proactive partner. Our aim is to always stay one step ahead. All our products and solutions exceed the requirements laid down by certification programmes. The same applies to our work with you. We openly discuss challenges and propose improvements, helping you to always identify the ideal solution.

Our commitment For your safety



The safety storage cabinets from DÜPERTHAL are the professional solution for active storage of flammable liquids. You can use them to store flammable liquids in unsealed containers and to fill or transfer liquids in or at the safety storage cabinet while meeting all existing directives.

» Outstanding quality	6
» All-round service.....	7
» Maximum fire resistance – Type 90	8
» Protection against unauthorised access	9
» For flexible use	10
» Individual solutions	11
» Active and passive storage	12
» Optimally integrated – efficiency in the process chain	13
» Ingeniously networked with Cabi2Net	14
» Hazardous substance management with Cabi2Net	16
» Active storage at a glance	18
» TAP line – canister cabinets	20
» SUPPLY line – drum cabinets.....	26
» COMPLEX line – drum stations	34
» DISPOSAL line – disposal systems	40
» HPLC service station	52
» Technical data all models	58

Solved internally, confirmed externally and independently

For DÜPERTHAL, quality is the main focus. Proof of this are the quality marks of approval awarded to each of our safety storage cabinets, in recognition of our comprehensive quality management as per DIN EN ISO 9001. One basic condition here is that, apart from our own in-house checks, the production of the safety storage cabinets is continuously monitored by external accredited test institutes.



Occupational safety and health

OSHA / EU-OSHA

Protecting employees and the environment is the highest priority when handling hazardous substances. Therefore, DÜPERTHAL safety storage cabinets guarantee compliance with the requirements of OSHA and EU-OSHA.

Tested safety at a very high level including

- » Type testing according to DIN EN 14470-1 by recognised test institutes (TÜV Süd, iBMB Braunschweig, ift Rosenheim).
- » TÜV testing according to DIN EN 14727 (laboratory furniture standard).
- » Type 90 classification in accordance with DIN EN 14470-1.
- » High Quality mark of approval for upper-level style, user-friendliness and increased lifetime.
- » GS/CE mark.



DÜPERTHAL – constant reassurance

During our entire cooperation, we will offer you the unique DÜPERTHAL service. Starting with the project planning and technical product advice up to the delivery of the product itself, we will always be at your side.



Always at your service

Specialist carrier with checklist

Safety starts with the delivery of the product. Our specialist carrier works according to a detailed checklist and therefore ensures that our products are professionally installed in their final place of use.

Service agreement - the clever option

With a service agreement, we offer you the full service including maintenance and repair of your safety storage cabinets. Additionally, we will extend the manufacturer's guarantee to cover the contract period of the service agreement. With a service agreement for 5 years, for instance, the manufacturer's guarantee will be extended to the period of 5 years. The first inspection within the scope of a service agreement is free of charge.



„Through regular maintenance within the scope of a service agreement, we guarantee the safety of your DÜPERTHAL safety storage cabinets for many years.“

Tommy Fitkau, Manager Technical Service,
Quality Management

Be prepared for an emergency

Great care is required when handling dangerous substances. Our technology with maximum fire resistance helps you to achieve this. Thus, our safety storage cabinets guarantee a resistance of 90 minutes in case of fire, type-tested according to DIN EN 14470-1.



Fire resistance of 90 minutes

Fire-proof and explosion-proof safety storage cabinets Type 90 by DÜPERTHAL offer a reliable fire protection of 90 minutes. In case of an emergency, this protection provides enough time to evacuate the building and to extinguish the fire safely and thoroughly.

Functional and safe

Despite all safety provisions, you will never have to do without functionality with the DÜPERTHAL safety storage cabinets. DÜPERTHAL combines laboratory storage with maximum fire resistance, of course type-tested in accordance with DIN EN 14470-1 and the laboratory furniture standard DIN EN 14727. Specially easy-moving and practical wing doors and many additional functions provide the basis for individually optimised and safe work processes.

Locking systems for even more safety

Only authorised personnel should be granted access to the safety storage cabinet. After all, it is used to store substances that require training before they can be safely handled and used. Choose the locking system best suited for your facility – for maximum safety when storing dangerous chemicals.



Alternatives for safe access control

Cylinder lock (basic fitout)

All safety storage cabinets have a cylinder lock, as a standard.

Access with RFID card for intelligent protection against unauthorised access

All models for active storage are perfectly suited for the Modular Protection System MPS, i.e. unlocking of the doors with RFID user card with MPS-1.

Integration in locking systems

To integrate the cabinets into existing locking systems, profile half-cylinder locks can be supplied.

For flexible use

Maximum safety in all areas

The handling of hazardous substances is subject to stringent regulations – for good reason. DÜPERTHAL can help you to meet all the relevant requirements whilst at the same time optimising your procedures. Our diverse range of products offers you flexible solutions to design your laboratory and workspace to your own specifications. Whether you require 90-minute fire resistance, refrigerated media storage or a combined solution for storing flammable hazardous substances with other chemicals, we can help you to create working areas that offer full compliance with all the legal and technical requirements. During the entire process, DÜPERTHAL's qualified professionals are always on hand to provide you with advice.



Safe storage for flammable substances

By guaranteeing 90 minutes of fire-resistant and explosion-proof storage, the Type 90 safety cabinets from DÜPERTHAL comply in all respects with the requirements of the Technical Rules for Hazardous Substances for storing flammable liquids. However, the following is also still applicable: Only those substances may be stored together if their joint storage does not increase the respective risks. Safety storage cabinets and their safety-relevant features thus may not suffer any damage. In response to complex storage requirements, including combined storage, DÜPERTHAL therefore offers solutions such as the hazardous substances centre.

We are always glad to assist you with solutions that can optimise your storage facilities. We help you to select suitable safety storage cabinets and optimised accessories, such as exhaust air systems and other extras that facilitate your daily work.

System solutions, tailored to your requirements

DÜPERTHAL offers system solutions for process-optimised storage of chemicals and hazardous substances in scientific research, development and production. Our goal is to accommodate your individual requirements in customised solutions. This is why you can expect not only remarkable certified products, but also outstanding service. Our team will help you to improve your work processes and to integrate our products in the best possible way so as to considerably enhance your safety.



Varied product range

With all our solutions, you have a choice between the standard product on the market and highly customised packages with a variety of fitted features. Professional advice and comprehensive service are always guaranteed.

Safe storage - both active and passive

There are different technical and administrative requirements on the one side for active storage of chemicals and on the other side for passive storage of chemicals. How will you store your chemicals? It is best if you determine how substances will be stored at your workplace or laboratory during the planning of installations. Below, you will find some important aspects of active and passive storage.



Passive storage

- » Liquids or solids are stored in sealed containers.
- » No filling or transferring takes place in or at the cabinet.
- » Your safety storage cabinet serves only as a storage facility.

Active storage

- » Flammable liquids are stored in open or unsealed containers.
- » Chemicals are filled or transferred in or at the safety storage cabinet.
- » Your safety storage cabinet is actively integrated in your working procedures.



Maximum protection with a system – tailored to your processes

As soon as you begin with active storage, you must take different requirements into account in your risk assessment (acc. to TRGS 400) and the associated explosion protection documents: these include requirements of TRGS 526 and TRGS 510 Annex 3, but also additional points of TRGS 509, TRBS 2153 and DIN EN 60079-10. The DÜPERTHAL safety storage cabinets for active storage guarantee you conformity with the regulations and their construction offers a firm foundation for efficient work-flows. The safety storage cabinets for active storage are practical and versatile. They are equipped with numerous safety-relevant features and other fitting features, which enables us to offer you individual solutions optimally tailored to your processes..

Optimally integrated – efficiency in the process chain

With the DÜPERTHAL Type 90 safety cabinets for active storage you benefit in many different ways. Handling chemicals in your workplaces and laboratory places is optimally integrated into the value-added chain. Instead of a large safety cabinet for passive storage, you can now directly integrate a smaller, process optimised safety cabinet for active storage – completely to your own individual requirements; and can also network several cabinets. This ensures maximum health & safety and environmental protection as well as security of supply at all times. With active storage as a module, the supply chain can be optimised and planned strategically. Efficient workflows – your technical and economic advantage.



Your technical advantage

- » Automatic level monitoring provides optimum management of the liquids.
- » Changing collection containers in good time is initiated automatically. No risk of overflowing collection containers.
- » Systematic ventilation monitoring during active work prevents the formation of an explosive atmosphere and thus ensures a high safety standard and health protection.
- » Air exchange and extraction throughout the entire interior augment extraction above the bottom tray and at container openings.
- » Dissipative surfaces inside and outside, the connection of all electrically conductive metal components and potential connection at the rear wall or cabinet roof belong to the continuous earthing concept.

Your economic advantage

- » Decentralised storage with media available directly at the workplace means work simplification and time saving.
- » Safety sequences can be drafted and defined optimally, also an important element for the hazard analysis.
- » Checking the explosion safety within the scope of GS certification can be incorporated into the hazard analysis to TRGS 400; this simplifies documentation.
- » Falling consumption of chemicals reduces procurement and disposal costs and spares the environment (CO₂ balance).

Ingeniously networked – with Cabi2Net

DÜPERTHAL's Cabi2Net system revolutionises central control of workflows. With up-to-date characteristic data and intelligent networking it helps to organise the value-added chain efficiently. Information can be called up on the internet via a web interface, independent of terminal devices. The system is easily scalable and with add-on modules enables the integration of numerous additional sensors and actuators; in addition, the Cabi2Net can also be integrated in the



general building automation. Use of Cabi2Net provides safety in active storage and releases resources, which can be used actively and in a results-orientated way for research, development and production. Find out more on the next page, about how you can use Cabi2Net to revolutionise your hazardous substance management of active storage with our safety cabinets.



Intelligent hardware and software

- » Network interfaces
- » Digital and analog inputs for evaluation of sensors for level monitoring, temperature control, flow rate, etc.
- » Digital outputs for switching signal lamps, acoustic warning devices, release or locking mechanisms
- » Industrial displays with touch function, visualisation via web browser or display on PC monitor
- » Individual adjustment of the system configuration, thanks to different user levels
- » Easy to use via keyboard, mouse or touchscreen
- » All cabinets in the system can be activated separately
- » Electronic logging in real time
- » Remote access to process-relevant information



Hazardous substance management with Cabi2Net – precise and forward-looking

Exact data in real time

- » Digital and analog **level evaluation** (level indicator) possible
- » Continuous monitoring of **exhaust flow rate and temperature data**
- » Media and quantity selection **clear and traceable** at any time

Your technical advantage

- » Safety cabinet as **workplace** and storage location
- » Liquids **available** at any time
- » Systemised **ventilation monitoring** ensures high level of safety
- » All parameters **at a glance** thanks to Cabi2Net
- » Cabinets in the system are **networked** and can be activated individually
- » Digital inputs and outputs for **numerous additional functions**
- » **Remote access** to information at any time



Logical steps

Consistent, continuous safety: To ensure active transfer and supply are optimally integrated into your work process, we assist you with the DÜPERTHAL **TAP line**, **SUPPLY line** and **COMPLEX line** product lines. You can rely on DÜPERTHAL **DISPOSAL line** for active disposal.





Safety in organisation

- » Programmable access control and clear **user profiles** – only instructed employees have access to the cabinet contents
- » System controlled working with identification and door unlocking means defined health & safety – and **increased legal certainty** in case of damage or injuries
- » Digital storage of the **safety data sheets** and instructions, accessible at any time
- » **Continuous documentation** of the hazardous substances used, storage plans and hazardous substance lists
- » **Verifications of instructions** given to internal and external employees, which can be called up in the system, mean increased legal certainty

Your economic advantage

- » Authorised self-service for media issue **releases resources** which can be used for active operations elsewhere.
- » Quantity limits can be used to define the maximum daily requirement and achieve **quantity reduction**.
- » Key data can be assigned, posted and charged directly to a **cost centre**.
- » Direct use of the key data in the purchasing organisation helps to achieve security of supply and effective risk management.
- » **Central ordering system** with direct data transmission to media suppliers for automated purchasing of the necessary chemicals.
- » Transparency and control of media consumption **reduces purchasing and procurement costs as well as disposal costs**.
- » High degree of compatibility with existing data management systems and integrated interfaces reduce operating costs and **support paperless organisation**.

There for you in person

Our technical advisers will be pleased to inform you in detail about the benefits you can achieve in your work area.

Active storage at a glance

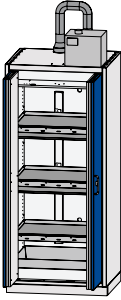
As each cabinet for active storage has to satisfy specific requirements, we have developed a great variety of certified system solutions for you.

Supply systems
Canister cabinets
TAP LL, XL, XXL

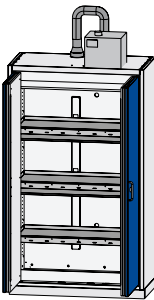
Page 20

with canister shelves, drip trays and exhaust air monitoring

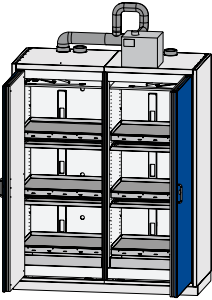
Dimensions [in mm]			
	Width	Depth	Height
TAP LL	895	745	2080
TAP XL	1195	595	2080
TAP XXL	1655	745	2080



TAP LL



TAP XL




TAP XXL

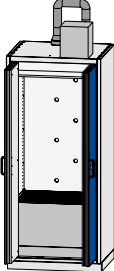
Supply systems
Drum cabinets
SUPPLY LL, XXL

Page 26

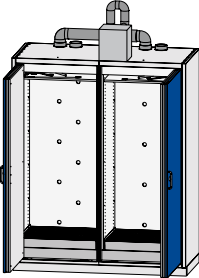
with exhaust air monitoring



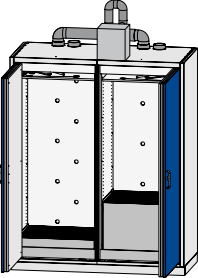
SUPPLY LL 1



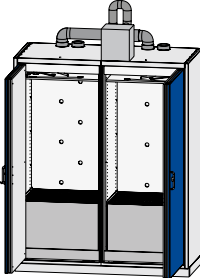
SUPPLY LL 2



SUPPLY XXL 1



SUPPLY XXL 2



SUPPLY XXL 3

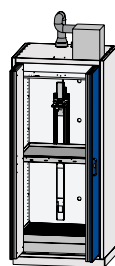
Dimensions [in mm]			
	Width	Depth	Height
SUPPLY LL 1-2	895	745	2080
SUPPLY XXL 1-3	1665	745	2080

Supply systems Drum stations COMPLEX LL, XXL

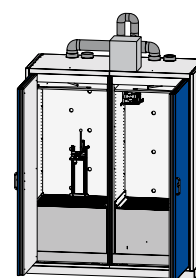
with media pump, extraction point
and exhaust air monitoring

Dimensions [in mm]

	Width	Depth	Height
COMPLEX LL	895	745	2080
COMPLEX XXL	1655	745	2080



COMPLEX LL



COMPLEX XXL

Page 34

Disposal systems DISPOSAL UTS ergo S DISPOSAL BENCH S DISPOSAL M, XL

with collection containers and
exhaust air monitoring

Dimensions [in mm]

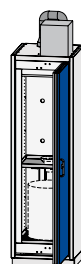
	Width	Depth	Height
DISPOSAL UTS ergo S	600	593	631
DISPOSAL BENCH S	600	593	831
DISPOSAL M	595	595	2080
DISPOSAL XL	1195	595	2080



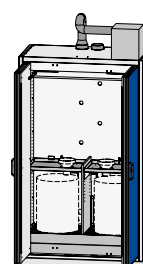
DISPOSAL UTS ergo S



DISPOSAL BENCH S



DISPOSAL M



DISPOSAL XL

Page 40

Disposal systems HPLC Service-Station S

with 2 conductive canisters, stopcock,
exhaust air monitoring unit with level monitor

Dimensions [in mm]

	Width	Depth	Height
HPLC Service-Station S	900	750	745



HPLC Service-Station S

Page 52

Cabi2Net – networking for maximum safety

For the central control of workflows and processes.
Configuration according to individual requirements.



Page 14



TAP line – Type 90

The TAP line Type 90 from DÜPERTHAL is specially designed to remove liquids from canisters and small drums. This allows flexible work processes and a more efficient organization of the internal value chain, thus releasing resources which can be used actively and purposefully for scientific research.



TAP LL



TAP XL

Interior fittings:

- » Canister shelves made of conductive powder-coated sheet steel.
- » Drip trays made of conductive powder-coated sheet steel.

Construction:

- » Wing doors made of conductive powder-coated sheet steel.
- » Outer carcass made of conductive powder-coated sheet steel.
- » Inner carcass made of high-quality decor panels.

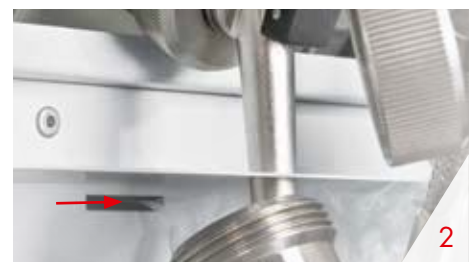
Colour:

- » Wing doors optionally in gentian blue (similar to RAL 5010) or light grey (similar to RAL 7035).
- » Complete carcass in light grey (similar to RAL 7035).

The safety storage cabinets of the TAP line are ideal for efficiently and safely withdrawing flammable liquids. All cabinets of the TAP line have a variety of additional features which help increase safety and work comfort.

Focus on functionality

- 1** Extraction of hazardous vapours from every cabinet level, easy visual inspection of the venting cut-off flaps.
- 2** Air curtain extraction during filling.
- 3** As a standard, the doors are fitted with an arrest system. Thus, canisters can be safely placed and removed. In case of fire, a thermocouple automatically closes the doors without blocking.
- 4** Equipotential bonding saddles at the rear of the cabinet are installed as a standard for the connection to the earthing in accordance with TRBS 2153 (prevention of ignition hazards). The interior fittings are conductively connected with the equipotential bonding saddles. Including earthing cables with crocodile clips in the cabinet.
- 5** Variable height adjustment of the shelves allows optimum use of space. The drip trays extend automatically and can easily be pushed back.
- 6** Storage in accordance with TRGS 510 and safe media removal from canisters conforming ADR/RID into smaller containers in accordance with TRGS 509.



Ordering information

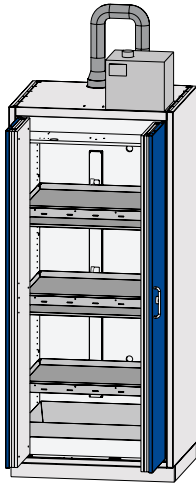
Tested safety at a very high level including:



DIN EN 14470-1
DIN EN 14727



2.1.1 TAP LL – Width 895 mm



Details

3 canister shelves, 2 drip trays, 12 earthing cables with crocodile clips,
1 bottom tray and base

Fittings

Ref. no.

With exhaust air monitoring unit and ventilator

49-200971-027

With exhaust air monitoring unit

49-200971-028

Dimensions [in mm]

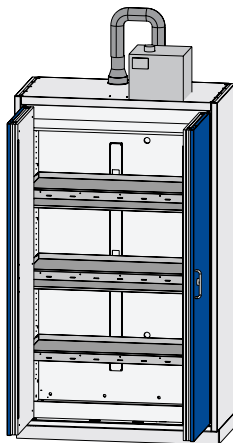
	Outer	Inner
Width	895	799
Depth	745	595
Height	2080	1830

Max. storage capacity/standing space

Quantity	Type of container	Size
5	PE canister	5 litre
3	PE canister (conductive)	10 litre
3	PE canister (conductive)	20 litre
5	Stainless steel canister	5 litre
5	Stainless steel canister	10 litre

Weight [in kg] 442

2.1.2 TAP LL XL – Width 1195 mm



Details

3 canister shelves, 2 drip trays, 15 earthing cables with crocodile clips,
1 bottom tray and base

Fittings

Ref. no.

With exhaust air monitoring unit and ventilator

49-201261-027

With exhaust air monitoring unit

49-201261-028

Dimensions [in mm]

	Outer	Inner
Width	1195	1099
Depth	595	446
Height	2080	1830

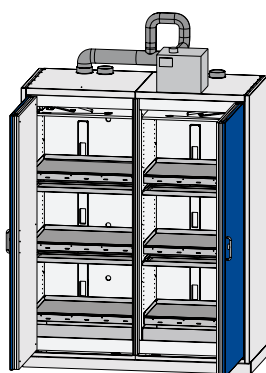
Max. storage capacity/standing space

Quantity	Type of container	Size
7	PE canister	5 litre
5	PE canister (conductive)	10 litre
7	Stainless steel canister	5 litre
7	Stainless steel canister	10 litre

Weight [in kg] 469

For further technical details and dimensions, see page 58.

2.1.3 TAP XXL – Width 1665 mm



Details

6 canister shelves, 4 drip trays, 24 earthing cables with crocodile clips, 2 bottom trays and base

Fittings

With exhaust air monitoring unit and ventilator
With exhaust air monitoring unit

Ref. no.

49-201773-027
49-201773-028

Dimensions [in mm]

	Outer	Inner
Width	1665	2x 744
Depth	745	2x 595
Height	2080	1830

Max. storage capacity/standing space

Quantity	Type of container	Size
10	PE canister	5 litre
6	PE canister (conductive)	10 litre
6	PE canister (conductive)	20 litre
8	Stainless steel canister	5 litre
8	Stainless steel canister	10 litre

Weight [in kg] 895

Accessories

Choose from the great variety of accessories the best suited items for your workplace. Create your own individual work environment tailored to your requirements and work processes.



Pipe penetration
for stainless steel pipes, cables or hoses - up to Ø 28 mm are possible.



Red-Box
Safely storing documents exactly where they are needed.



Transport trolley
in conductive design with anti-static rollers to safely transport hazardous substances.



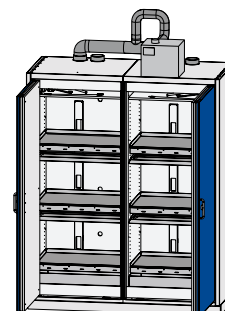
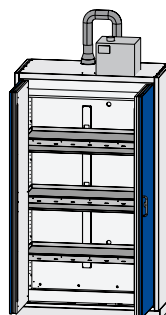
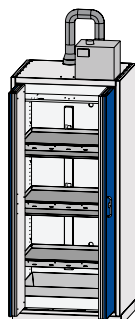
Locking system with RFID card
The DÜPERTHAL safety storage cabinets are optimally suited for the unlocking mechanism with RFID user card with MPS-1.



Cabi2Net
for the central control of workflows and processes. Configuration according to individual requirements.



VisiCon safety containers
with integrated sight glass with measuring scale.



	TAP LL	TAP XL	TAP XXL
Accessories:			
Material:			
Interior fittings (bottom tray, canister shelf and drip tray) made of stainless steel V2A or V4A	on request	on request	on request
Insert for drip tray made of PE-el	on request	on request	on request
Cabi2Net	on request	on request	on request
Canister 5 litre Stainless steel	3.85.005	3.85.005	3.85.005
Canister 10 litre Stainless steel	3.85.010	3.85.010	3.85.010
Transport trolley for flammable liquids	7.02.100	7.02.100	7.02.100
VisiCon safety container, 1 litre	5.90.001	5.90.001	5.90.001
VisiCon safety container, 2 litre	5.90.002	5.90.002	5.90.002
Dispensing tap for canisters 3.85.005 and 3.85.010	3.85.200	3.85.200	3.85.200
Pipe, cable and hose penetration (reclosable)	29-70000-045	29-70000-045	29-70000-045
Pipe, cable and hose penetration	49-70000-048	49-70000-048	49-70000-048
Red-Box	2.233.04	2.233.04	2.233.04
Absorbers	see www.dueperthal.com		



SUPPLY line – Type 90

The SUPPLY line Type 90 from DÜPERTHAL is specially designed to remove liquids from drums. This allows flexible work processes and a more efficient organization of the internal value chain, thus releasing resources which can be used actively and purposefully for scientific research.



SUPPLY LL 1



SUPPLY LL 2



SUPPLY XXL 3

Interior fittings:

- » Bottom tray made of conductive, powder-coated sheet steel and galvanised grating.
- » Optional: heavy load drawer with safety locking for 200 litre drums, conductive, in gentian blue (similar to RAL 5010).

Construction:

- » Wing doors made of conductive powder-coated sheet steel.
- » Outer carcass made of conductive powder-coated sheet steel.
- » Inner carcass made of high-quality decor panels.

Colour:

- » Wing doors optionally in gentian blue (similar to RAL 5010) or light grey (similar to RAL 7035).
- » Complete carcass in light grey (similar to RAL 7035).

The safety storage cabinets of the SUPPLY line are ideal for efficiently and safely withdrawing flammable liquids. All cabinets of the SUPPLY line have a variety of additional features which help increase safety and work comfort.

Focus on functionality

- 1** Extraction of hazardous vapours from every cabinet level, easy visual inspection of the venting cut-off flaps.
- 2** The ergonomic lock positioning at handle level and integrated locking cylinders in the door improve user comfort.
- 3** As a standard, the doors are fitted with an arrest system. Thus, drums can be safely placed and removed. In case of fire, a thermocouple automatically closes the doors without blocking.
- 4** One-hand operation of the easy-moving doors.





Further features

- 5 The base design makes the cabinet easily accessible for transport from all sides, for example with a hand pallet truck. The adjustable bases have an extra large bearing surface for easy alignment and level adjustment from inside and outside of the cabinet.
- 6 An exhaust air monitoring unit is integrated, as a standard, optionally with or without ventilator.
- 7 Equipotential bonding saddles at the rear of the cabinet are installed as a standard for the connection to the earthing in accordance with TRBS 2153 (prevention of ignition hazards). The interior fittings are conductively connected with the equipotential bonding saddles. Including earthing cables with crocodile clips in the cabinet.
- 8 Heavy load drawer with safety locking and maximum load bearing capacity of 250 kg facilitates loading and unloading a 200 litre drum into or from the safety storage cabinet.

Tested safety at a very high level including:

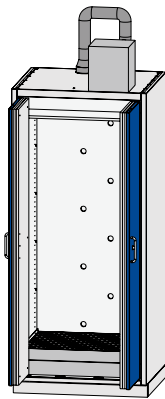
Ordering information



DIN EN 14470-1
DIN EN 14727



2.2.1 SUPPLY LL – Width 895 mm



Details

1 bottom tray with grating for 60 l drums, 2 earthing cables with crocodile clips and base

Fittings

Ref. no.

With exhaust air monitoring unit and ventilator

49-200970-017

With exhaust air monitoring unit

49-200970-018

Dimensions [in mm]

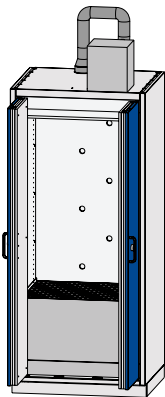
	Outer	Inner
Width	895	799
Depth	745	595
Height	2080	1535

Max. storage capacity/standing space

Quantity	Type of container	Size
2	Drum	50/60 litre

Weight [in kg] 432

2.2.2 SUPPLY LL – Width 895 mm



Details

1 bottom tray with grating for 200 l drum, 2 earthing cables with crocodile clips and base

Fittings

Ref. no.

With exhaust air monitoring unit and ventilator

49-200970-037

With exhaust air monitoring unit

49-200970-038

Dimensions [in mm]

	Outer	Inner
Width	895	799
Depth	745	595
Height	2080	1200

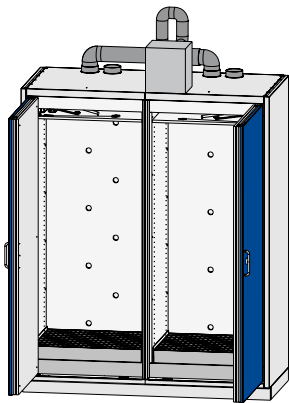
Max. storage capacity/standing space

Quantity	Type of container	Size
2	Drum	50/60 litre
1	Drum	200 litre

Weight [in kg] 444

SUPPLY line – Type 90

2.2.3 SUPPLY XXL 1 – Width 1655 mm



Details

2 bottom trays with grating for 60 l drums, 4 earthing cables with crocodile clips and base

Fittings

With exhaust air monitoring unit and ventilator

Ref. no.

49-201773-017

With exhaust air monitoring unit

49-201773-018

Dimensions [in mm]

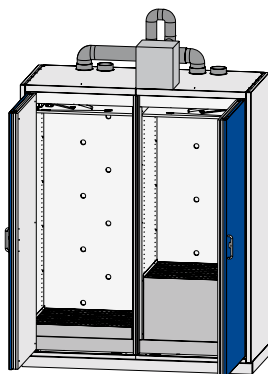
	Outer	Inner
Width	1655	2x 744
Depth	745	2x 595
Height	2080	1515

Max. storage capacity/standing space

Quantity	Type of container	Size
2	Drum	50/60 litre

Weight [in kg] 861

2.2.4 SUPPLY XXL 2 – Width 1655 mm



Details

1 bottom tray with grating for 60 l drums/left, 1 bottom tray with grating for 200 l drum/right and base

Fittings

With exhaust air monitoring unit and ventilator

Ref. no.

49-201773-047

With exhaust air monitoring unit

49-201773-048

Dimensions [in mm]

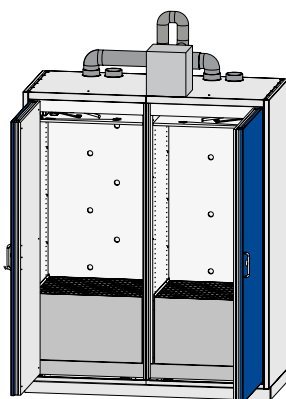
	Outer	Inner
Width	1655	2x 744
Depth	745	2x 595
Height	2080	L-1515 / R-1155

Max. storage capacity/standing space

Quantity	Type of container	Size
2	Drum	50/60 litre
1	Drum	200 litre

Weight [in kg] 873

2.2.5 SUPPLY XXL 3 – Width 1655 mm



Details

2 bottom trays with grating for 200 l drums, 4 earthing cables with crocodile clips and base

Fittings

With exhaust air monitoring unit and ventilator

Ref. no.

49-201773-037

With exhaust air monitoring unit

49-201773-038

Dimensions [in mm]

	Outer	Inner
Width	1655	2x 744
Depth	745	2x 595
Height	2080	1515

Max. storage capacity/standing space

Quantity	Type of container	Size
2	Drum	50/60 litre
1	Drum	200 litre

Weight [in kg] 885

Accessories

Choose from the great variety of accessories the best suited items for your workplace. Create your own individual work environment tailored to your requirements and work processes.



Pipe penetration
for stainless steel pipes, cables or hoses - up to Ø 28 mm are possible.



Red-Box
Safely storing documents exactly where they are needed.



Absorber cloths
Absorber cloths are specially designed for use with chemicals and are thus ideal for picking up spilled hazardous substances.



Locking system with RFID card
The DÜPERTHAL safety storage cabinets are optimally suited for the unlocking mechanism with RFID user card with MPS-1.



Cabi2Net
for the central control of workflows and processes. Configuration according to individual requirements.



Heavy load drawer
with safety locking for 200 litre drums, conductive, in gentian blue (similar to RAL 5010).

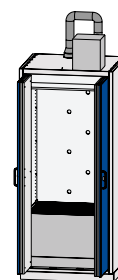
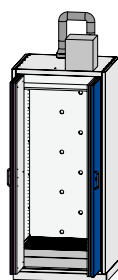


Drum lifter
for picking up and transporting 200 l drums. Ideally used with heavy load drawer.

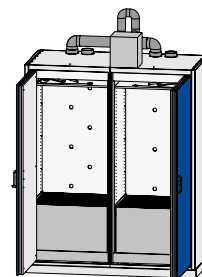
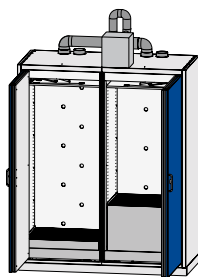
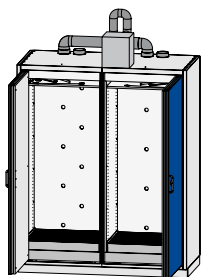


Drum gripper
for forklifts to hoist 200 l drums.

Accessories SUPPLY line



	SUPPLY LL 1	SUPPLY LL 2
Additional interior fittings:		
Interior fittings (bottom tray and grating) made of stainless steel V2A or V4A	on request	on request
Cabi2Net	on request	on request
Pipe, cable and hose penetration (reclosable)	29-70000-045	29-70000-045
Pipe, cable and hose penetration	49-70000-048	49-70000-048
Red-Box	2.233.04	2.233.04
Heavy load drawer with safety locking for 200 l drum, maximum load bearing capacity 250 kg	–	49-80970-069
Mobile accessories:		
Drum lifter with quick lift, load bearing capacity 300 kg	–	1.31.045*
Drum gripper, load bearing capacity 350 kg	–	1.31.100*
Drum gripper for forklifts, load bearing capacity 350 kg	–	1.31.101*
Drum wrench	1.808.05	1.808.05
VisiCon safety container, 1 litre	5.90.001	5.90.001
VisiCon safety container, 2 litre	5.90.002	5.90.002
Optional extras:		
Compressed-air media pump - explosion-proof (set)	50-70000-052	50-70000-052
Absorbers		see www.dueperthal.com



SUPPLY XXL 1	SUPPLY XXL 2	SUPPLY XXL 3
on request	on request	on request
on request	on request	on request
29-70000-045	29-70000-045	29-70000-045
49-70000-048	49-70000-048	49-70000-048
2.233.04	2.233.04	2.233.04
–	49-80970-069	49-80970-069
–	1.31.045*	1.31.045*
–	1.31.100*	1.31.100*
–	1.31.101*	1.31.101*
1.808.05	1.808.05	1.808.05
5.90.001	5.90.001	5.90.001
5.90.002	5.90.002	5.90.002
50-70000-052	50-70000-052	50-70000-052
see www.dueperthal.com		



COMPLEX line – Type 90

The COMPLEX line Type 90 from DÜPERTHAL is a certified system solution specially designed to transfer liquids from drums into smaller containers. The cabinets are very easy to put into operation, as they are ready to plug in with all connections pre-installed. This allows flexible work processes and a more efficient organization of the internal value chain.



COMPLEX LL



COMPLEX XXL

Interior fittings:

- » Supply system with automatically closing tap (dead man's switch), including extraction at the filling point and standing surface.
- » Media hoses made of PTFE-el with stainless steel cover, with foot valve at the suction side.
- » Explosion-proof compressed-air media pump with pressure relief when the doors are closed.
- » Bottom tray made of conductive powder-coated sheet steel and galvanised grating.
- » Optional: heavy load drawer with safety locking for 200 litre drums, conductive, in gentian blue (similar to RAL 5010).

Construction:

- » Wing doors made of conductive powder-coated sheet steel.
- » Outer carcass made of conductive powder-coated sheet steel.
- » Inner carcass made of high-quality decor panels.

Colour:

- » Wing doors optionally in gentian blue (similar to RAL 5010) or light grey (similar to RAL 7035).
- » Complete carcass in light grey (similar to RAL 7035).

The safety storage cabinets of the COMPLEX line are ideal for efficiently and safely withdrawing flammable liquids. All cabinets of the COMPLEX line have a variety of additional features which help increase safety and work comfort.

Focus on functionality

- 1** Extraction of hazardous vapours from every cabinet level, easy visual inspection of the venting cut-off flaps.
- 2** In addition, direct fume extraction and air curtain extraction.
- 3** As a standard, the doors are fitted with an arrest system. Thus, drums can be safely placed and removed. In case of fire, a thermocouple automatically closes the doors without blocking.
- 4** Activation of the media pump by means of a valve. In case of fire, an automatic pump emergency stop is triggered with the closing of the doors.
- 5** Safe media removal with self-closing tap from a 200 litre drum into smaller containers in accordance with TRGS 509.





Further features

- 6 The base design makes the cabinet easily accessible for transport from all sides, for example with a hand pallet truck. The adjustable bases have an extra large bearing surface for easy alignment and level adjustment from inside and outside of the cabinet.
- 7 An exhaust air monitoring unit is integrated, as a standard, optionally with or without ventilator.
- 8 The filling speed can be adjusted continuously by means of a pressure reducer.
- 9 Equipotential bonding saddles at the rear of the cabinet are installed as a standard for the connection to the earthing in accordance with TRBS 2153 (prevention of ignition hazards). The interior fittings are conductively connected with the equipotential bonding saddles. Including earthing cables with crocodile clips in the cabinet.
- 10 Heavy load drawer facilitates loading and unloading a 200 litre drum into or from the drum station.

Tested safety at a very high level including:

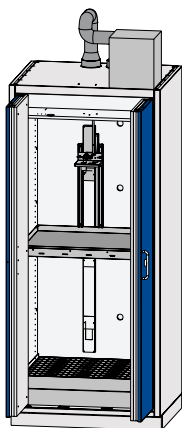
Ordering information



DIN EN 14470-1
DIN EN 14727



2.3.1 COMPLEX LL – Width 895 mm



Details

1 explosion-proof compressed-air media pump incl. suction pipe (length 1000 mm),
1 self-closing tap, connection pipes with couplings, 2 earthing cables with crocodile clips,
1 bottom tray with grating for 60 l drum and base

Fittings

Ref. no.

With exhaust air monitoring unit and ventilator

59-200971-007

With exhaust air monitoring unit

59-200971-008

Dimensions [in mm]

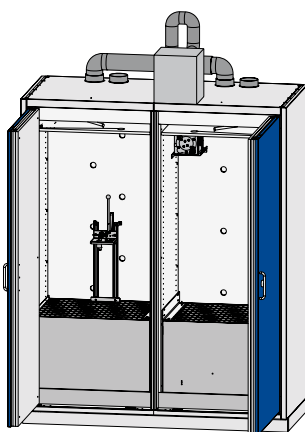
Max. storage capacity/standing space

	Outer	Inner
Width	895	799
Depth	745	595
Height	2080	1535

Quantity	Type of container	Size
2	Drum	50/60 litre

Weight [in kg] 442

2.3.2 COMPLEX XXL – Width 1655 mm



Details

1 explosion-proof compressed-air media pump incl. suction pipe (length 1000 mm),
1 self-closing tap, connection pipes with couplings, 2 earthing cables with crocodile clips,
2 bottom trays with grating for 200 l drum and base

Fittings

Ref. no.

With exhaust air monitoring unit and ventilator

59-201773-007

With exhaust air monitoring unit

59-201773-008

Dimensions [in mm]

Max. storage capacity/standing space

	Outer	Inner
Width	1655	2x 744
Depth	745	2x 595
Height	2080	1160

Quantity	Type of container	Size
1	Drum	200 litre

Weight [in kg] 895

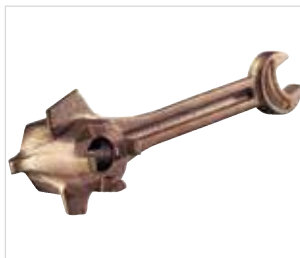
For further technical details and dimensions, see page 62.

Accessories

Choose from the great variety of accessories the best suited items for your workplace. Create your own individual work environment tailored to your requirements and work processes.



Compressor
as an independent energy source for compressed air - ideal for operating the drum station.



Drum wrench
for easy opening and closing of drums, prevents spark formation.



Red-Box
Safely storing documents exactly where they are needed.



Absorber cloths
Absorber cloths are specially designed for use with chemicals and are thus ideal for picking up spilled hazardous substances.



Cabi2Net
for the central control of workflows and processes. Configuration according to individual requirements.



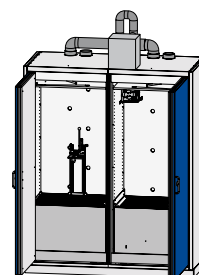
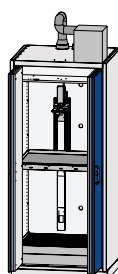
Heavy load drawer
with safety locking for 200 litre drums, conductive, in gentian blue (similar to RAL 5010).



Drum lifter
for picking up and transporting 200 l drums. Ideally used with heavy load drawer.



Drum gripper
for forklifts to hoist 200 l drums.



	COMPLEX LL	COMPLEX XXL
Accessories:		
Interior fittings (bottom tray, standing surfaces and drip surfaces) made of stainless steel V2A or V4A	on request	on request
Cabi2Net	on request	on request
Compressor, 6 bar, low noise level 38 db(A), 0.13 kW, 230V/50Hz, incl. 5 m pneumatic hose, ready to plug in	50-70000-046	50-70000-046
Heavy load drawer with safety locking for 200 l drum, maximum load bearing capacity 250 kg	–	49-80970-069
Drum lifter with quick lift, load bearing capacity 300 kg	–	1.31.045*
Drum gripper, load bearing capacity 350 kg	–	1.31.103*
Red-Box	2.233.04	2.233.04
Drum wrench	1.808.05	1.808.05
VisiCon safety container, 1 litre	5.90.001	5.90.001
VisiCon safety container, 2 litre	5.90.002	5.90.002
Canister made of conductive PE, 10 litre	5.09.010	5.09.010
Canister made of conductive PE, 20 litre	5.09.020	5.09.020
Canister made of conductive PE, 30 litre	5.09.030	5.09.030
Vacuum and pressure compensation valves 2" for drums	see www.dueperthal.com	
Safety containers	see www.dueperthal.com	
Absorbers	see www.dueperthal.com	



DISPOSAL line – Type 90

The DISPOSAL line is your flexible solution for handling waste disposal issues when working with a wide range of chemicals. On the following pages, you will find all features and ordering information at a glance.



DISPOSAL XL

Interior fittings:

- » Disposal system with funnel shelf, safety funnel and lockable hinged lid, conductive powder-coating.
- » Bottom tray made of conductive, powder-coated sheet steel and galvanised grating.

Construction:

- » Wing doors made of conductive powder-coated sheet steel.
- » Outer carcass made of conductive powder-coated sheet steel.
- » Inner carcass made of high-quality decor panels.

Colour:

- » Wing doors optionally in gentian blue (similar to RAL 5010) or light grey (similar to RAL 7035).
- » Complete carcass in light grey (similar to RAL 7035).

Specially designed to store different chemical wastes, the DISPOSAL line is equipped with varied additional features to make work easier and safer.

Choose from the great variety of accessories the best suited items for your laboratory. Create your own individual work environment tailored to your requirements and work processes.

Focus on functionality

- 1** Extraction of hazardous vapours from every cabinet level, easy visual inspection of the venting cut-off flaps. Fume extraction directly at the filling point. Extraction above the storage containers or under the funnel shelf, respectively. Storage area separated by frontal cover to minimize vapour emission when the doors are opened.
- 2** Safe media disposal or media transfer via stainless steel safety funnel according to TRGS 509. Filling of canisters possible with hose connection or directly via safety funnel with pipe.
- 3** As a standard, the doors are fitted with an arrest system. In case of fire, a thermocouple automatically closes the doors without blocking.
- 4** Thus, canisters and drums can be safely placed and removed.





Further features

- 5** The base design makes the cabinet easily accessible for transport from all sides, for example with a hand pallet truck. The adjustable bases have an extra large bearing surface for easy alignment and level adjustment from inside and outside of the cabinet.
- 6** An exhaust air monitoring unit is integrated, as a standard, optionally with or without ventilator.
- 7** Equipotential bonding saddles at the rear of the cabinet are installed as a standard for the connection to the earthing in accordance with TRBS 2153 (prevention of ignition hazards). The interior fittings are conductively connected with the equipotential bonding saddles. Including earthing cables with crocodile clips in the cabinet.

Tested safety at a very high level including:

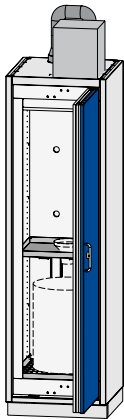
Ordering information



DIN EN 14470-1
DIN EN 14727



2.4.1 DISPOSAL M – Width 595 mm



Details

1 safety funnel with hinged lid made of stainless steel, 2 earthing cables with crocodile clips, 1 bottom tray with grating for 60 l drum and base

Fittings

Ref. no.

With exhaust air monitoring unit and ventilator

59-200660-047

With exhaust air monitoring unit

59-200660-048

Dimensions [in mm]

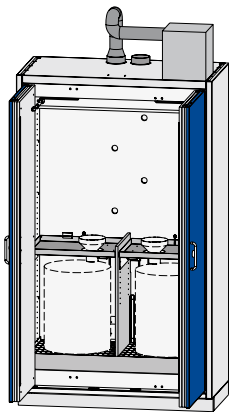
	Outer	Inner
Width	595	499
Depth	595	446
Height	2080	1830

Max. storage capacity/standing space

Quantity	Type of container	Size
1	Drum	50/60 litre

Weight [in kg] 301

2.4.2 DISPOSAL XL – Width 1195 mm



Details

2 safety funnels with hinged lid made of stainless steel, 4 earthing cables with crocodile clips, 1 bottom tray with grating for 60 l drums and base

Fittings

Ref. no.

With exhaust air monitoring unit and ventilator

59-201260-047

With exhaust air monitoring unit

59-201260-048

Dimensions [in mm]

	Outer	Inner
Width	1195	1099
Depth	745	446
Height	2080	1830

Max. storage capacity/standing space

Quantity	Type of container	Size
2	Drum	50/60 litre

Weight [in kg] 469

Accessories

Choose from the great variety of accessories the best suited items for your workplace. Create your own individual work environment tailored to your requirements and work processes.



Level monitor
with control module to warn about overfilling.



Drum wrench
for easy opening and closing of drums, prevents spark formation.



Red-Box
Safely storing documents exactly where they are needed.



Absorber cloths
Absorber cloths are specially designed for use with chemicals and are thus ideal for picking up spilled hazardous substances.



Cabi2Net
for the central control of workflows and processes. Configuration according to individual requirements.



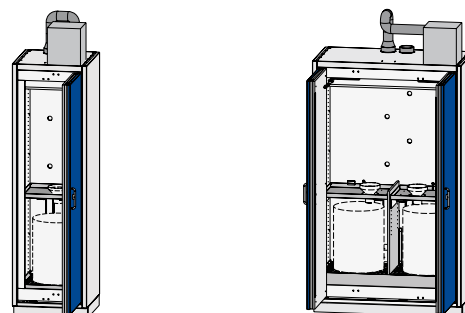
Pipe penetration
for stainless steel pipes, cables or hoses - up to Ø 28 mm are possible.



Transport trolley
in conductive design with anti-static rollers to safely transport hazardous substances.



Polyethylen-canister
60 litre, conductive.



	DISPOSAL M	DISPOSAL XL
Accessories:		
Interior fittings (bottom tray, funnel shelf and grating) made of stainless steel V2A or V4A	on request	on request
Funnel shelf in PE-el construction	on request	on request
VisiCon safety funnel with pipe (d = 200 mm) for immersed filling	on request	on request
VisiCon safety funnel (d = 120 mm) with pipe socket to directly fill containers without hose	on request	on request
VisiCon safety funnel (d = 200 mm) with pipe socket to directly fill containers without hose	on request	on request
Cabi2Net	on request	on request
Shelf, sheet steel	49-81260-114	49-81260-114
MPS 6-L, level monitor	50-30000-925	50-30000-925
Canister made of conductive PE, 10 litre	5.09.010	5.09.010
Canister made of conductive PE, 20 litre	5.09.020	5.09.020
Canister made of conductive PE, 30 litre	5.09.030	5.09.030
Canister made of conductive PE, 60 litre	5.09.060	5.09.060
Drum wrench	1.808.05	1.808.05
Vacuum and pressure compensation valves 2" for drums	see www.dueperthal.com	
Transportwagen für brennbare Medien	7.02.100	7.02.100
VisiCon safety container, 1 litre	5.90.001	5.90.001
VisiCon safety container, 2 litre	5.90.002	5.90.002
Pipe, cable and hose penetration (reclosable)	29-70000-045	29-70000-045
Pipe, cable and hose penetration	49-70000-048	49-70000-048
Red-Box	2.233.04	2.233.04
Absorbers	see www.dueperthal.com	



DISPOSAL line – Type 90

The DISPOSAL UTS ergo line® and the DISPOSAL BENCH line are your flexible solutions for handling waste disposal issues when working with a wide range of chemicals. On the following pages, you will find all features and ordering information at a glance.



DISPOSAL UTS ergo line®



DISPOSAL BENCH line

Interior fittings:

- » With door opening automatically moving-out pull-out tray made of conductive powder-coated sheet steel.
- » Conductive disposal system.

Construction:

- » Wing door made of conductive powder-coated sheet steel.
- » Outer carcass made of conductive powder-coated sheet steel.
- » Inner carcass made of high-quality decor panels.
- » Base optionally in ToeKick version or in classical version.

Colour:

- » Wing door optionally in gentian blue (similar to RAL 5010) or light grey (similar to RAL 7035).
- » Complete carcass in light grey (similar to RAL 7035).
- » Base in slate grey RAL 7015.

Safety and functionality

Specially designed to store different chemical wastes, the DISPOSAL UTS ergo line® and the DISPOSAL BENCH line are equipped with varied additional features to make work easier and safer. Choose from the great variety of accessories the best suited items for your laboratory. Create your own individual work environment tailored to your requirements and work processes.

Focus on functionality

- 1** Particularly easy-moving, push-to-open wing doors can be opened by light pressure on the front.
- 2** Automatically moving-out pull-out trays ensure maximum handling convenience. This allows the conductive canisters to be removed quickly and safely with both hands. In case of fire, a thermocouple automatically closes the doors without blocking. The canisters are suitable to be equipped with fill level probes, optionally a capacitive probe or as a float probe.
- 3** Integrated as a standard, the exhaust air monitoring unit with level monitor and display for error indication and recording represents proactive environmental protection.
- 4** The layout of the air supply and exhaust air valves is optimised for the purpose of visual inspection.
- 5** Equipotential bonding saddles at the rear of the cabinet are installed as a standard for the connection to the earthing in accordance with TRBS 2153 (prevention of ignition hazards).
The interior fittings are conductively connected with the equipotential bonding saddles. Including earthing cables with crocodile clips in the cabinet.





Further features

- 6** The DISPOSAL UTS ergo line® models extract potentially occurring vapours directly at their point of origin. This promotes a healthy working environment. The waste cap with stopcock and extraction is designed with a patented overflow protection and is drip-free to prevent contamination.
- 7** Funnel set for bench mounting. For custom installation in exhaust hoods or workbenches. It is connected up to the canister with a PTFE-el hose with a smooth interior and anti-kinking sleeve.
- 8** The base in its ToeKick version is the solution to ergonomic work. Users can stand comfortably and use the workbench above the DISPOSAL UTS ergo line® or DISPOSAL BENCH line cabinet. This spares their backs and avoids them hitting their feet.
- 9** Transport trolley in conductive design, including collection tray, perforated sheet insert and a holder for protective goggles and gloves – for the safe transport of 10 and 20 litre PE canisters.

Tested safety at a very high level including:

Ordering information



DIN EN 14470-1
DIN EN 14727



DISPOSAL UTS ergo line S – Width 600mm



Details

1 pull-out tray, 1 canister guidance, 2 conductive PE canisters à 10 litres with 1 capacitive level probe, 1 waste cap with stopcock and extraction pipe, electrically conductive PTFE hose with a length of 1.5 mm and a 1/2" connection for a funnel, 1 pipe penetration with stainless steel pipe, 1 exhaust air monitor and level monitor MPS 3 with error indication on the display, 1 earthing cable with crocodile clip and base 35 mm

Ref. no.

Classical

Push-to-open

59-060667-033

59-060669-033

Dimensions [in mm]

	Outer	Inner
Width	600	503
Depth	593	463
Height (classical)	631	480
Height (ToeKick)	681	480

Max. storage capacity/standing space

Quantity	Type of container	Size
2	PE canister (conductive)	10 litre

Weight [in kg] 130

DISPOSAL BENCH line S – Width 600mm



Details

1 pull-out tray, 1 canister guidance, 2 conductive PE canisters à 20 litres with 1 capacitive level probe, 1 waste cap with stopcock and extraction pipe, electrically conductive PTFE hose with a length of 1.5 mm and a 1/2" connection for a funnel, 1 pipe penetration with stainless steel pipe, 1 exhaust air monitor and level monitor MPS 3 with error indication on the display, 1 earthing cable with crocodile clip and base 35 mm

Ref. no.

Classical

Push-to-open

59-080667-033

59-080669-033

Dimensions [in mm]

	Outer	Inner
Width	600	503
Depth	593	463
Height (classical)	831	480
Height (ToeKick)	881	680

Max. storage capacity/standing space

Quantity	Type of container	Size
2	PE canister (conductive)	10 litre
2	PE canister (conductive)	20 litre

Weight [in kg] approx. 170

For further technical details and dimensions, see page 66.

Accessories

Choose from the great variety of accessories the best suited items for your laboratory. Create your own individual work environment tailored to your requirements and work processes.



Special pliers
for PE canister to close it adequately with a torque of 20 Nm.



Roller set
ensures easy installation into existing laboratory equipment.



Cabi2Net
for the central control of work-flows and processes. Configuration according to individual requirements.



Absorber cloths
Absorber cloths are specially designed for use with chemicals and are thus ideal for picking up spilled hazardous substances.



Transport trolley
in conductive design with anti-static rollers to safely transport hazardous substances.



VisiCon safety containers
with integrated sight glass with measuring scale.



	DISPOSAL UTS ergo line® S	DISPOSAL BENCH line S
Safety funnel set made of stainless steel 1.4571, with hinged lid, removable dirt strainer and earthing cable with crocodile clip		
For bench penetration, fill diameter 200 mm	50-70000-054	50-70000-054
Fitting options:		
Mastercard	50-70000-930	50-70000-930
Float probe with 1-3 measuring points	on request	on request
Display adapter for MPS 3	50-70000-370	50-70000-370
Canister made of conductive PE, 10 l, with sensor support	59-10000-098	59-10000-098
Canister made of conductive PE, 20 l, with sensor support	–	on request
Classical base 85 mm (instead of 35 mm)	29-10660-084	29-10660-084
ToeKick base 85 mm	29-10660-085	29-10660-085
Roller set	29-10900-011	29-10900-011
Cabi2Net	on request	on request
Transport trolley for flammable liquids	7.02.100	7.02.100
VisiCon safety container, 1 litre	5.90.001	5.90.001
VisiCon safety container, 2 litre	5.90.002	5.90.002
Additional interior fittings:		
Special pliers for PE canister	5.09.003	5.09.003
Exhaust air system or ventilator		see www.dueperthal.com
Absorbers		see www.dueperthal.com



HPLC Service-Station – Type 90

The HPLC service station is your flexible solution for handling waste disposal issues in high performance liquid chromatography. On the following page, you will find all ordering information at a glance.



HPLC Service-Station

For process reliability

Using the HPLC service station allows you to fulfil a great variety of laws, regulations and directives, especially the safety requirements of TRGS 509 for filling and transfer stations. System-aided working ensures process reliability in a sustainable way and can thus be taken into account in your risk assessment.

HPLC service station consisting of:

- » DISPOSAL UTS ergo line® S
- » Service rack

Interior fittings:

- » Pull-out tray made of conductive powder-coated sheet steel.
- » 7 electrical sockets at the rear of the cabinet.

Construction:

- » Wing door made of conductive powder-coated sheet steel.
- » Outer carcass made of conductive powder-coated sheet steel.
- » Service rack and inner carcass made of high-quality decor panels.
- » PC shelf made of powder-coated sheet steel.
- » Base in ToeKick version.

Colour:

- » Wing door optionally in gentian blue (similar to RAL 5010) or light grey (similar to RAL 7035).
- » Complete carcass in light grey (similar to RAL 7035).
- » Base in slate grey RAL 7015.

Specially designed to store flammable wastes from high performance liquid chromatography, the HPLC service station is equipped with varied additional features to make work easier and safer.

Focus on functionality

- 1** Particularly easy-moving, push-to-open wing doors can be opened by light pressure on the front.
- 2** Automatically moving-out pull-out trays ensure maximum handling convenience. This allows the conductive 10 litre canisters to be removed quickly and safely with both hands. In case of fire, a thermocouple automatically closes the doors without blocking. The canisters are suitable to be equipped with fill level probes, optionally a capacitive probe or as a float probe.
- 3** Integrated as a standard, the MPS 3 exhaust air monitoring unit with level monitor and display for error indication and recording warns about overfilling, thus representing proactive environmental protection.
- 4** The HPLC service station extracts potentially occurring vapours directly at their point of origin. This promotes a healthy working environment. The waste cap with stopcock and extraction is designed with a patented prevention against overfilling and is drip-free to prevent contamination.
- 5** The HPLC service station is also available in a mobile version with a roller set. This allows the HPLC service station to be at hand whenever and wherever its use is required.





Further features

- 6** The base in its ToeKick version is the solution to ergonomic work. Users can stand conveniently at the HPLC service station and use the worktop. This spares their backs and avoids them hitting their feet.
- 7** The bench penetration is connected up to the canister with a PTFE-el hose with a smooth interior and anti-kinking sleeve. It is prepared for connecting capillary connections and/or hose adapters for media disposal and two penetrations Ø 56 mm for power cables. Customization to suit existing system is possible on request.
- 8** Transport trolley in conductive design, including collection tray, perforated sheet insert and a holder for protective goggles and gloves – for the safe transport of 10 and 20 litre PE canisters.
- 9** Monitor arm set, full motion, including bracket, optionally with extendable keyboard arm set and mouse pad.

Tested safety at a very high level including:

Ordering information



DIN EN 14470-1
DIN EN 14727



HPLC Service-Station S – Width 900 mm

Details

1 DISPOSAL UTS ergo line S with 2 conductive PE canisters à 10 litres, 1 stopcock, 1 earthing cable with crocodile clip, 1 MPS 3 exhaust air monitoring unit with level monitor, 1 PC shelf, 7 electrical sockets, 1 HPLC bench penetration, 2 cable penetrations and ToeKick base 85 mm



Ref. no.

stationary

mobile

300-070979-04

300-070979-07

Dimensions [in mm]

	Outer	Inner
Width	900	503
Depth	750	463
Height	745	480

Max. storage capacity/standing space

Quantity	Type of container	Size
2	PE canister (conductive)	10 litre

Weight [in kg] 170

Accessories

Varied and flexible: Our wide variety of accessories can be used to adapt the HPLC service station cabinets perfectly to your laboratory space, creating an efficient and safe working environment.



Shelf for small parts.



Special pliers
For PE canister to close it adequately with a torque of 20 Nm



Monitor arm set
Full motion, including bracket, optionally with extendable keyboard arm set and mouse pad.



Canister changeover
via an electropneumatic device, for a higher fill capacity of 20 litres.



HPLC service station S	
Fitting options:	
Monitor arm set, full motion, including bracket	300-10971-71
Keyboard arm set, extendable, including mouse pad	300-10971-72
Additional shelf for small parts	300-10971-73
Electropneumatic device for canister changeover	on request
Master card for system configuration	50-70000-930
Additional interior fittings:	
Canister made of conductive PE, 10 litre	5.09.010
Special pliers for PE canister	5.09.003
Safety waste caps with capillary connections	
Absorber	
Exhaust air system or ventilator	
	see www.dueperthal.com

Technical data TAP line - canister cabinets

Technical details		Model size		
		LL	XL	XXL
Load bearing capacity with uniformly distributed load (max. load/canister shelf)	in kg	75	75	75
Maximum volume of the largest individual container which may be stored in the cabinet	in l	60	43	60
Collection volume bottom tray	in approx. m ³ /h	66	48	66
Volumetric flow rate for 10-fold air exchange	in approx. m ³ /h	10	10	20
Required extraction flow rate for filling and transferring (active storage*)	in approx. m ³ /h	>21	>21	>42
Failling pressure in cabinet	in Pa	<1	<1	<1

* Note

The continuously upcoming (24h) exhaust air stream of the installation must be monitored during filling and transferring (active storage), to detect failure of the required air stream and to at least trigger an alarm.

Dimensions – interior fittings [in mm]	Model size								
	LL			XL			XXL		
	Width	Depth	Height	Width	Depth	Height	Width	Depth	Height
Canister shelf	790	520	35	1095	370	35	735	520	35
Drip tray	781	307	35	1091	307	35	736	307	35
Bottom tray	785	590	155	1085	440	105	745	590	517

Zoning

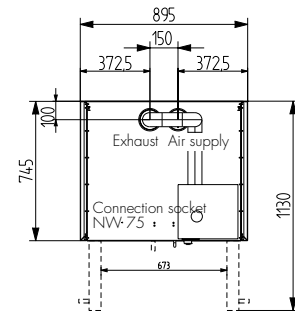
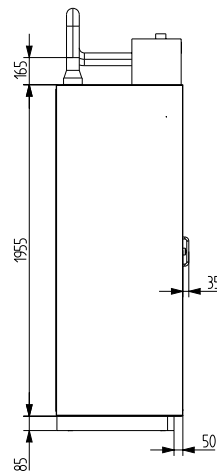
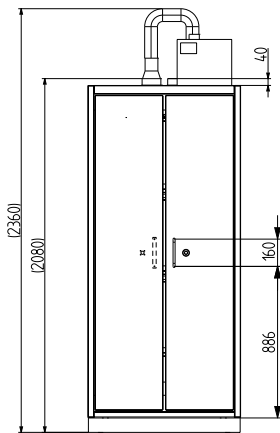
When the required extraction volume flow is complied with, in general the ratio to the filling volume flow is sufficient, so that the lower explosion protection limit (UEG) is exceeded for a short time only. Therefore, hazard area zone 2 can be expected inside the cabinet and at the extraction point. Within the scope of the risk analysis, the explosion protection limits must be considered. It may be necessary to adjust the hazard area zones and/or exhaust volume flow.

Front view

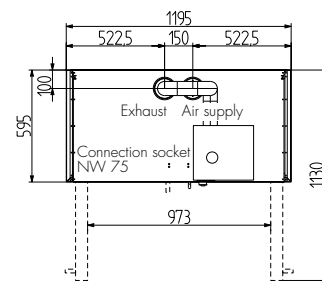
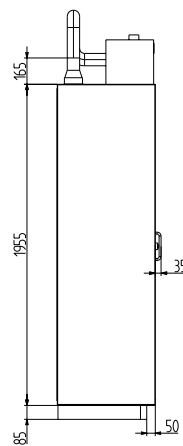
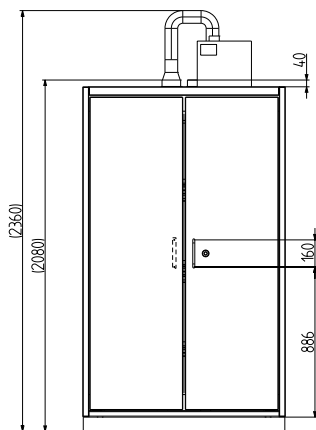
Side view

Top view

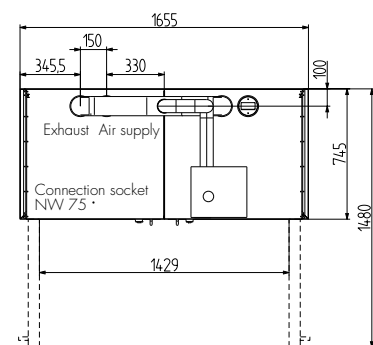
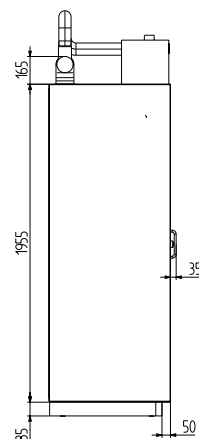
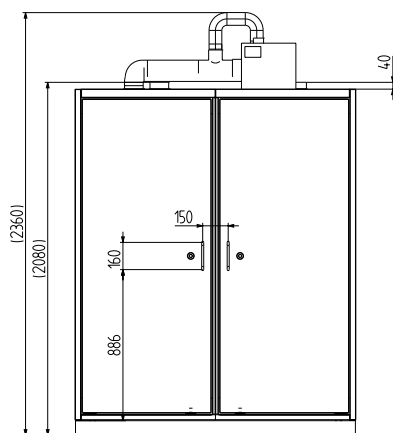
TAP LL



TAP XL



TAP XXL



Technical data SUPPLY line - drum cabinets

Technical details			Model size				
			LL 1	LL 2	XXL 1	XXL 2	XXL 3
Load bearing capacity with uniformly distributed load (max. load/standing surface)	in kg	Shelf	75	75	75	75	75
		Heavy load drawer	250	250	250	250	250
		Grating	250	250	250	250	250
Maximum volume of the largest individual container which may be stored in the cabinet	in l	left side	60	200	60	60	200
		right side			60	200	200
Collection volume bottom tray	in l	left side	66	220	66	66	220
		right side			66	220	220
Volumetric flow rate with 10-fold air exchange rate	in approx. m ³ /h	–	10	10	20	20	4,5
Required extraction flow rate for filling and transferring (active storage*)	in approx. m ³ /h		>21	>21	>42	>42	>42
Failling pressure in cabinet	in Pa	–	<1	<1	<1	<1	<1

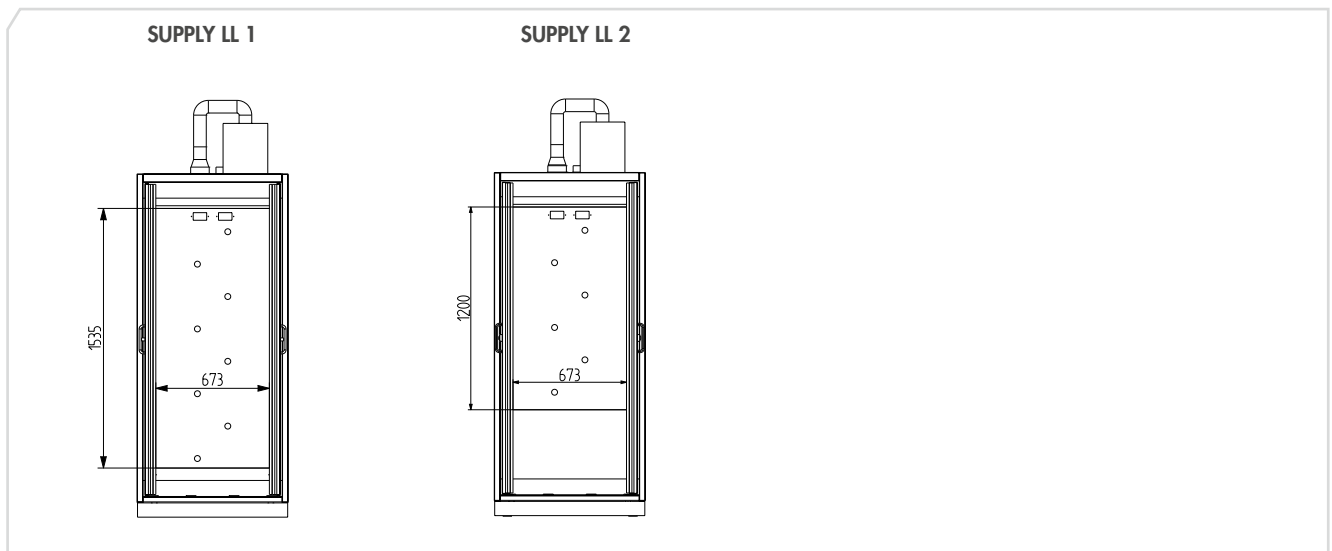
* Note

The continuously upcoming (24h) exhaust air stream of the installation must be monitored during filling and transferring (active storage), to detect failure of the required air stream and to at least trigger an alarm.

Zoning

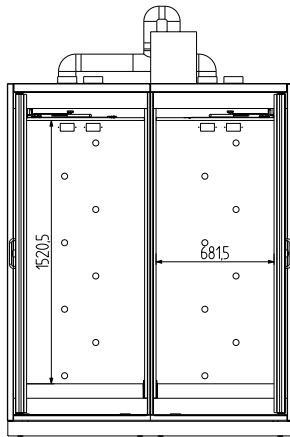
When the required extraction volume flow is complied with, in general the ratio to the filling volume flow is sufficient, so that the lower explosion protection limit (UEG) is exceeded for a short time only. Therefore, hazard area zone 2 can be expected inside the cabinet. For risk assessment, the SUPPLY line has to be assessed in connection with its actual application. In this context, it may be necessary to adjust the ex-zones, the exhaust air flow rate or both.

Interior dimensions

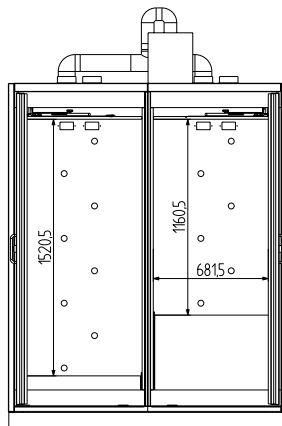


Interior dimensions:

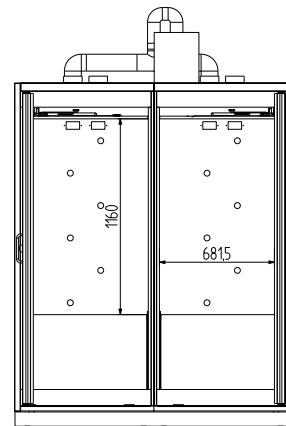
SUPPLY XXL 1



SUPPLY XXL 2



SUPPLY XXL 3

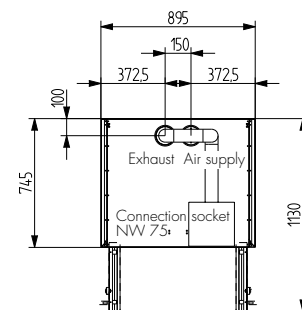
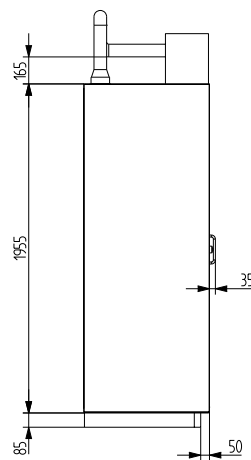
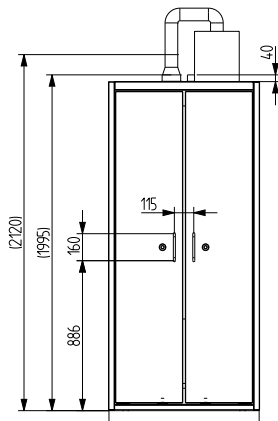


Front view

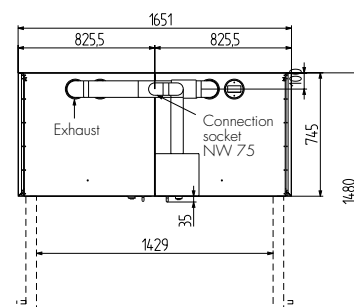
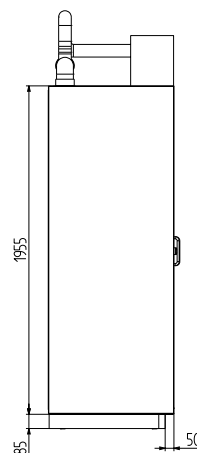
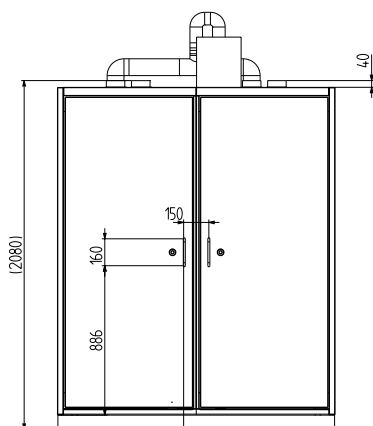
Side view

Top view

SUPPLY LL



SUPPLY XXL



Technical data COMPLEX line - drum stations

Technical details			Model size	
			LL	XXL
Load bearing capacity with uniformly distributed load (max. load/standing surface)	in kg	Shelf	75	75
		Heavy load drawer	250	250
		Grating	250	250
Maximum volume of the largest individual container which may be stored in the cabinet	in l	left side	60	200
		right side		200
Collection volume bottom tray	in l	left side	66	220
		right side		220
Operating pressure (on site) via compressed air or nitrogen	in bar		max. 4 bar	max. 4 bar
Volumetric flow rate for 10-fold air exchange	in approx. m ³ /h		10	20
Required extraction flow rate for filling and transferring (active storage*)	in approx. m ³ /h		>21	>42
Failling pressure in cabinet	in Pa		<1	<1

* Note

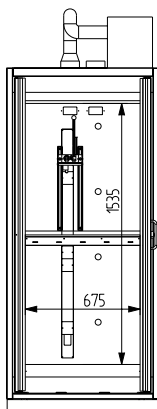
The continuously upcoming (24h) exhaust air stream of the installation must be monitored during filling and transferring (active storage), to detect failure of the required air stream and to at least trigger an alarm.

Zoning

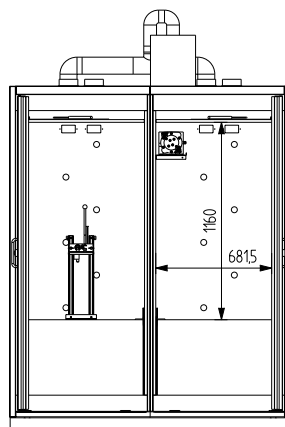
When the required extraction volume flow is complied with, in general the ratio to the filling volume flow is sufficient, so that the lower explosion protection limit (UEG) is exceeded for a short time only. Therefore, hazard area zone 2 can be expected inside the cabinet. For risk assessment, the COMPLEX line has to be assessed in connection with its actual application. In this context, it may be necessary to adjust the ex-zones, the exhaust air flow rate or both.

Interior dimensions

COMPLEX LL



COMPLEX XXL

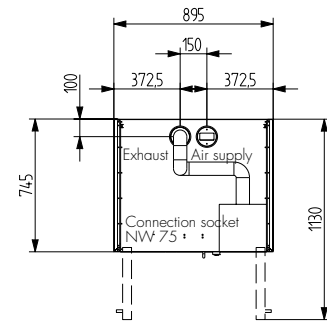
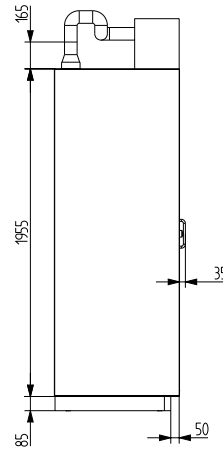
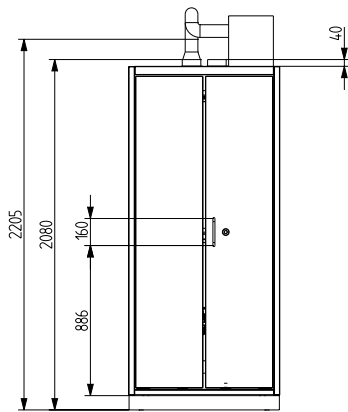


Front view

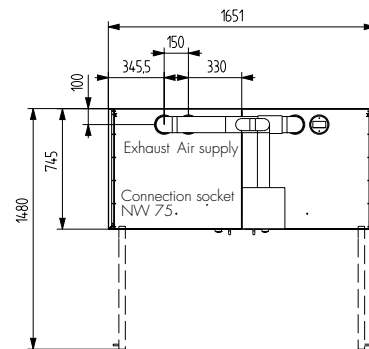
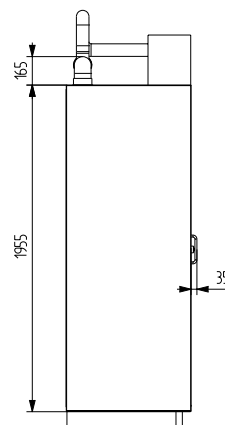
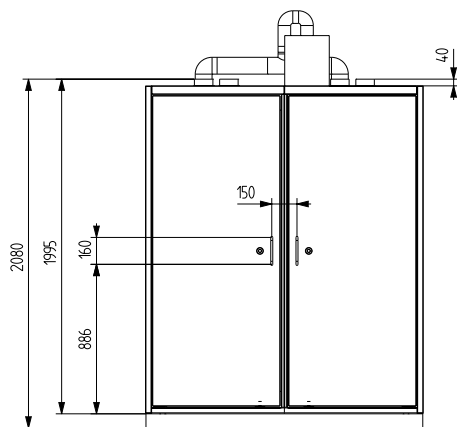
Side view

Top view

COMPLEX LL



COMPLEX XXL



Technical data DISPOSAL line - disposal cabinets

Technical details			Model size	
			M	XL
Load bearing capacity with uniformly distributed load (max. load/standing surface)	in kg	Shelf	75	75
		Grating	250	250
Maximum volume of the largest individual container which may be stored in the cabinet	in l		60	60
Collection volume bottom tray	in l	left side	66	66
Volumetric flow rate for 10-fold air exchange	in approx. m ³ /h		10	10
Required extraction flow rate for filling and transferring (active storage*)	in approx. m ³ /h		>21	>21
Failling pressure in cabinet	in Pa		<10	<10

* Note

The continuously upcoming (24h) exhaust air stream of the installation must be monitored during filling and transferring (active storage), to detect failure of the required air stream and to at least trigger an alarm.

Dimensions – interior fittings [in mm]						
	M			XL		
	Width	Depth	Height	Width	Depth	Height
Shelf	490	430	35	1090	430	35
Funnel shelf	490	430	35	536	430	35
Bottom tray	485	440	312	1085	440	141

Zoning

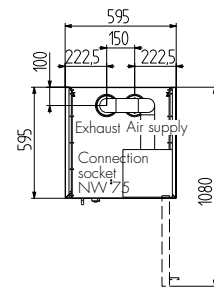
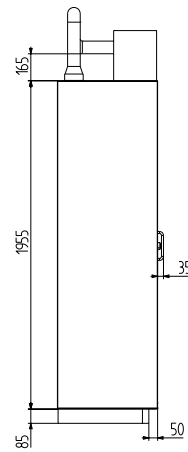
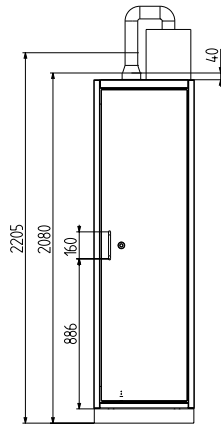
When the required extraction volume flow is complied with, in general the ratio to the filling volume flow is sufficient, so that the lower explosion protection limit (UEG) is exceeded for a short time only. Therefore, hazard area zone 2 can be expected inside the cabinet and at the filling point. For risk assessment, the DISPOSAL line has to be assessed in connection with its actual application. In this context, it may be necessary to adjust the ex-zones, the exhaust air flow rate or both.

Front view

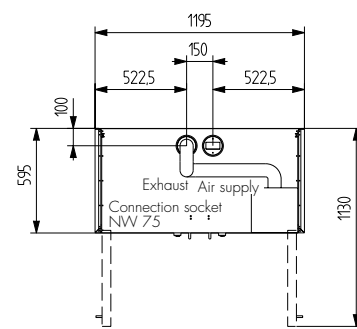
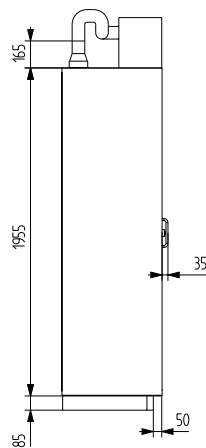
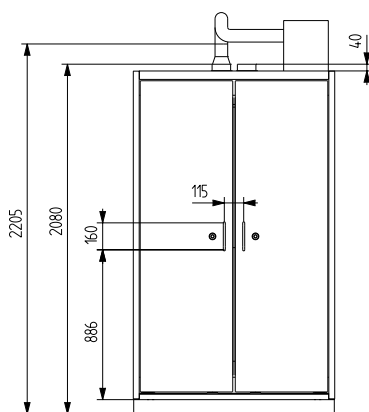
Side view

Top view

DISPOSAL M



DISPOSAL XL

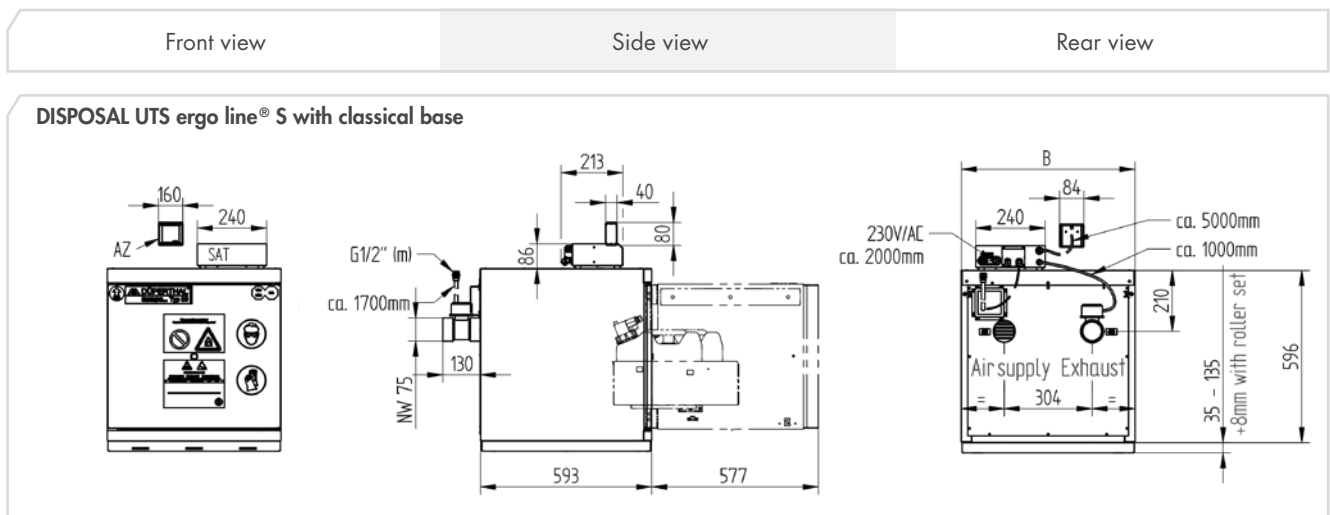


Technical data DISPOSAL UTS ergo line® – Type 90

Technical details			Model size
			S
Load bearing capacity with uniformly distributed load (max. load/standing surface)	in kg	Pull-out tray	45
Maximum volume of the largest individual container which may be stored on any shelf in the cabinet	in l	–	10
Collection volume	in l	Pull-out tray	11
Base height (other base heights on request)	in mm	with classic base	35
		with ToeKick base	85
Volumetric flow rate for 10-fold air exchange	in approx. m ³ /h	–	1,5
Required extraction flow rate for filling and transferring (active storage*)	in approx. m ³ /h	–	>21
Failling pressure in cabinet	in Pa	–	<1

* Note

During filling and transferring of media (active storage), the system's exhaust air rate must be monitored to detect a possible failure in the transported air flow. In this case, at least an alarm must be triggered and a shift in the hazardous areas must be indicated. Should the exhaust air monitor fail, all filling and transfer processes must be stopped.



Zoning

When all measures for monitoring the exhaust air are observed (protection concept), the proportion between the volumetric flow rates of exhaust air and fresh air is ensured and the lower explosion protection threshold is exceeded only briefly. In this way, zone 1, which prevails inside the cabinet and at the filling point, can be expected to turn into zone 2. For risk assessment, the DISPOSAL line has to be assessed in connection with its actual application. In this context, it may be necessary to adjust the ex-zones, the exhaust air flow rate or both.

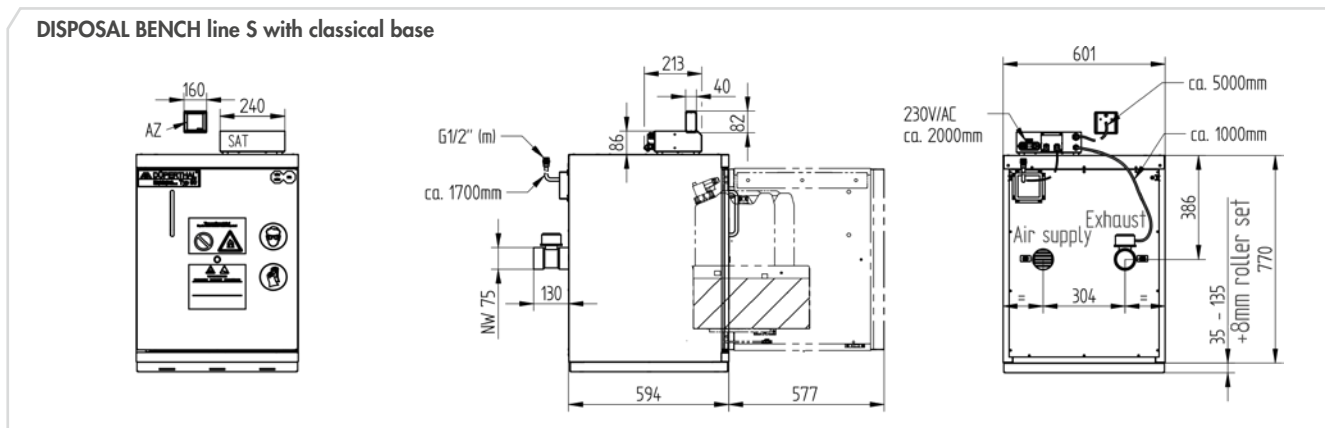
Dimensions – Interior fittings [in mm]	Model size		
		S	
	Width	Depth	Height
Pull-out tray	427	432	119

Technical details			Model size
			S
Load bearing capacity with uniformly distributed load (max. load/standing surface)	in kg	Pull-out tray	45
Maximum volume of the largest individual container which may be stored on any shelf in the cabinet	in l	-	20
Collection volume	in l	Pull-out tray	33
Base height (other base heights on request)	in mm	with classic base	35
		with ToeKick base	85
Volumetric flow rate for 10-fold air exchange	in approx. m ³ /h	-	1,5
Required extraction flow rate for filling and transferring (active storage*)	in approx. m ³ /h	-	>21
Failling pressure in cabinet	in Pa	-	<1

* Note

During filling and transferring of media (active storage), the system's exhaust air rate must be monitored to detect a possible failure in the transported air flow. In this case, at least an alarm must be triggered and a shift in the hazardous areas must be indicated. Should the exhaust air monitor fail, all filling and transfer processes must be stopped.

Front view	Side view	Rear view
------------	-----------	-----------



Zoning

When all measures for monitoring the exhaust air are observed (protection concept), the proportion between the volumetric flow rates of exhaust air and fresh air is ensured and the lower explosion protection threshold is exceeded only briefly. In this way, zone 1, which prevails inside the cabinet and at the filling point, can be expected to turn into zone 2. For risk assessment, the DISPOSAL line has to be assessed in connection with its actual application. In this context, it may be necessary to adjust the ex-zones, the exhaust air flow rate or both.

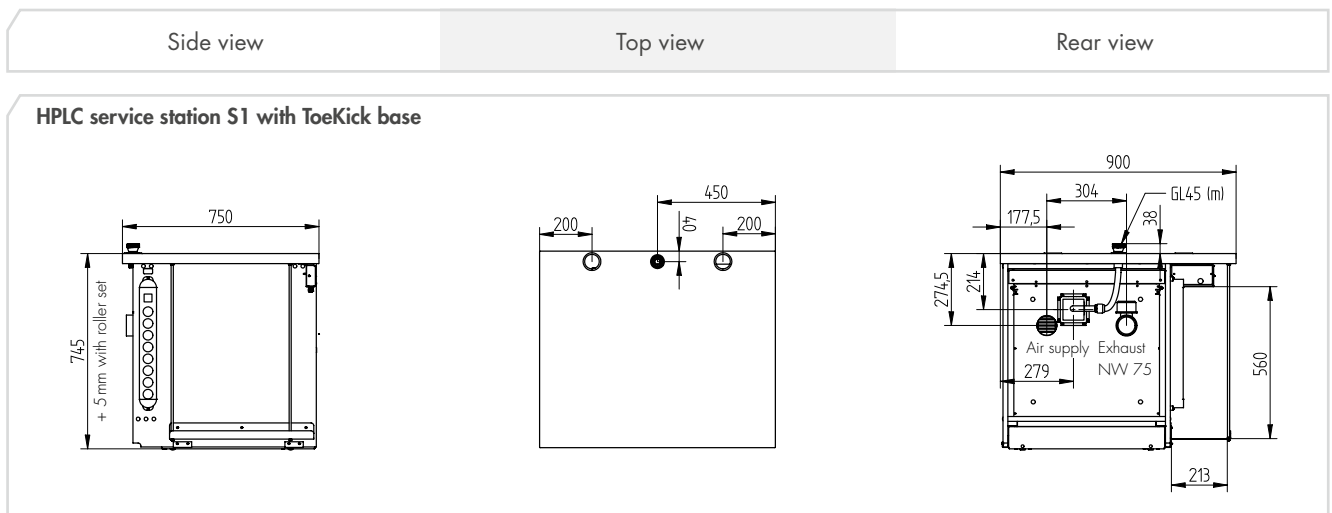
Dimensions – Interior fittings: [in mm]	Model size		
		S	
	Width	Depth	Height
Pull-out tray	427	432	233

Technical data HPLC service station - Type 90

Technical details			Model size
			S
Load bearing capacity with uniformly distributed load (max. load/standing surface)	in kg	Pull-out tray	45
		Standing surface for HPLC	80
Maximum volume of the largest individual container which may be stored on any shelf in the cabinet	in l	–	10
Collection volume	in l	Pull-out tray	11
Base height	in mm	with ToeKick base	85
Volumetric flow rate for 10-fold air exchange	in approx. m ³ /h	–	1,5
Required extraction flow rate for filling and transferring (active storage*)	in approx. m ³ /h	–	>21
Failling pressure in cabinet	in Pa	–	<1

* Note

During filling and transferring of media (active storage), the system's exhaust air rate must be monitored to detect a possible failure in the transported air flow. In this case, at least an alarm must be triggered and a shift in the hazardous areas must be indicated. Should the exhaust air monitor fail, all filling and transfer processes must be stopped.



Zoning

When all measures for monitoring the exhaust air are observed (protection concept), the proportion between the volumetric flow rates of exhaust air and fresh air is ensured and the lower explosion protection threshold is exceeded only briefly. In this way, zone 1, which prevails inside the cabinet and at the filling point, can be expected to turn into zone 2. For risk assessment, the DISPOSAL line has to be assessed in connection with its actual application. In this context, it may be necessary to adjust the ex-zones, the exhaust air flow rate or both.

Dimensions – interior fittings: [in mm]	Model size		
		S	
	Width	Depth	Height
Pull-out tray	345	432	119

Exhaust air systems and ventilators



To guarantee maximum safety for your employees, connection to exhaust air systems is essential in the case of many chemicals. DÜPERTHAL offers a variety of solutions to stop harmful vapours escaping into the working area. All ventilators and components comply with Directive 94/9/EC (ATEX) and thus meet the highest safety standards.



ATEX-compliant
Directive 94/9/EC

⊕ II (3) G c IIB T4

⊕ II (3) G [n4]



The many advantages of the DÜPERTHAL exhaust air systems and filter systems

- » ATEX conformity as per Directive 94/9/EC and type certificate from TÜV Süd.
- » Modern "blue mode" LED display with choice of languages: English, French or German.
- » Pre-assembled on delivery for easy installation.
- » Particularly quiet thanks to high-quality finishing.

Keep track

Thanks to the new VisiCon containers from DÜPERTHAL with integrated sight glass with level monitoring, you always know the exact amount of consumables left for use. The cap locking mechanism and the ergonomic metering tap make the safety containers particularly easy to use. In addition, optional labels may provide chemical codes for fast and easy identification of contents and a QR code on the labels may be scanned for rapid access to corresponding data sheets.



Visit our website for more information on safety containers and other accessories: www.dueperthal.com

More detailed information on the requirements, construction and technical specifications of our entire range of safety containers can be found here.

Intelligent technology – Great service

There is more to safety than simply buying a safety storage cabinet. This is why we offer you our certified knowledge, comprehensive service and expertise – supporting you before, during and especially after your decision to buy a DÜPERTHAL safety storage cabinet. For a reassuring feeling of having done everything within your power.

Individual advice.
Intelligent solutions.
Safety requires experts.

Your contact person – for Germany

Phone: +49 6188 9139-0
E-mail: info@dueperthal.com

Your contact person – for all other countries

Phone: +49 6188 9139-150
E-mail: info@dueperthal.com

Preventive inspections.
Sustainable maintenance.
Our service sets new standards.

Your contact person – Technical Service

Phone: +49 6188 9139-166
E-mail: service@dueperthal.com



Safety means responsibility.

DÜPERTHAL is one of the leading manufacturers of safety storage cabinets. There are good reasons for choosing DÜPERTHAL safety technology. Find out more about us and our entire product range on www.dueperthal.com.

We look forward to your call!

Mondays to Thursdays from 8.00 am to 5.00 pm
Fridays from 8.00 am to 4.00 pm

DÜPERTHAL Sicherheitstechnik GmbH & Co. KG
Frankenstrasse 3 | 63791 Karlstein | Germany



DÜPERTHAL Sicherheitstechnik GmbH & Co. KG
Frankenstraße 3 | 63791 Karlstein | Germany
Fon +49 6188 9139-0 | Fax +49 6188 9139-121
info@dueperthal.com | www.dueperthal.com