

COMPACT line



1.5

Type 90

Safety cabinets for
passive storage of drums



COMPACT line

for passive storage of drums

Type 90

Fire resistance (FR) of 90 minutes.

Safety cabinets with classical wing door technology for passive storage of hazardous substances in drums in working spaces according to TRbF 20 Annex L.

1.5

Tested safety at a high level including:



Tested safety at a high level including:

- Type testing according to DIN EN 14470-1 by recognised test institutes (TÜV Süd, iBMB Braunschweig).
- TÜV-tested according to DIN EN 14727 (laboratory furniture standard).
- Classification Type 90 in accordance with DIN EN 14470-1.
- GS/CE mark.
- High-Quality mark of approval for upper level style, user-friendliness and increased lifetime.

Construction:

- Wing doors, sheet steel, powder-coated.
- Outer carcass, sheet steel, powder-coated.
- Inner carcass made from high-quality decor panels.

Interior fittings:

- Bottom tray, sheet steel, powder-coated, and galvanised grating.
- Heavy load drawer optionally with safety locking for 200-litre drums in light grey RAL 7035.

Colour:

- Folding doors optionally in zinc yellow RAL 1018 or light grey RAL 7035.
- Complete carcass in light grey RAL 7035.
- Individual colour wishes possible.



Ventilation at every cabinet level, ability to visually check the venting cut-off flaps.



Smooth cabinet surfaces, no protruding hinges or covers.



Base set back to prevent people from hitting their feet on it.





passive storage

in detail

1.5



Doors with standard integrated arrest system, enabling drums to be safely placed in and removed from the cabinet. In case of fire, the thermocouple initiates the closing of the doors automatically.



Standard equipotential bonding saddles on the roof of the cabinet for connecting to the earthing in accordance with TRBS 2153, BGR 132 (avoiding ignition hazards). The interior fittings are conductively connected with the equipotential bonding saddles.



Ergonomic lock positioning at handle (working) height and lock system compatible lock cylinder integrated in the door.



Single-handed operation of the easy-moving doors.



Cabinet with accessible base. Optimized bearing surface by massive adjusting base. Easy alignment and level adjustment.



Easy loading and unloading of the COMPACT LL with 200-litre drum due to heavy load drawer, with max. load-bearing capacity 250 kg. Heavy load drawer with safety locking - see page 98.

COMPACT - Safety cabinets for drums

Type 90

1.5



Easy loading and unloading of 200-litre drum with easy moving heavy load drawer (optional), load-bearing capacity 250 kg.



Safety locking prevents uncontrolled activation of the heavy load drawer (optional).



After remove the base with drum lifter 1.31.045* the drum cabinet is accessible (afterwards it is necessary to assemble the base).



Easy removal of the base cladding of all COMPACT XXL models thanks to handle.

easy handling

Heavy load drawer can be optimally used in conjunction with the drum lifter



Loading and unloading possible using drum grippers and available fork lift truck



COMPACT line - Safety cabinets for drums

COMPACT LL
Version LL 1

COMPACT LL
Version LL 2

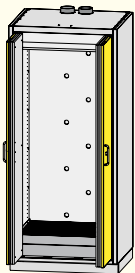
COMPACT XXL
Version XXL 3

1.5

DIN EN 14470-1

DIN EN 14727
LABORATORY
FURNITURE STANDARD

COMPACT LL
1.5.1 COMPACT LL - Version LL 1 60-l drums

DIN EN CE

COMPACT LL - Version LL 1 with:

bottom tray for 60-l drums with grating and base

Ref. no.
- Interior fittings, sheet steel
29-200970-011

Accessories (see fig. page 101)	Material	Width in mm	Depth in mm	Height in mm	Ref. no.
------------------------------------	----------	----------------	----------------	-----------------	----------

- | | | | | | |
|--|-------------|-----|-----|----|---------------|
| - Shelf | Sheet steel | 790 | 580 | 35 | 29-80970-114 |
| - Pipe-, cable- and hose penetration (re-sealable) | | | | | 29-70000-045 |
| - Pipe-, cable- and hose penetration | | | | | 29-70000-048 |
| - Exhaust air system or ventilator | | | | | from page 223 |
| - Red-Box | | | | | 2.233.04 |
| - Absorber | | | | | from page 275 |

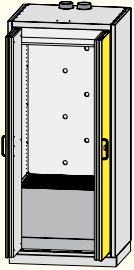
Dimensions and weight

		Outer	Inner
Width	in mm	895	799
Depth	in mm	745	595
Height	in mm	2080	1535
Weight	in kg	442	

For further technical details, see pages 102 to 103.

Max. storage capacity/standing surface

Quantity	Type of container	Size
2	drum	50/60 litre

1.5.2 COMPACT LL - Version LL 2 200-l drum

COMPACT LL - Version LL 2 with:

1 bottom tray for 200-l drum with grating and base

Ref. no.

- Interior fittings, sheet steel **29-200970-031**

Accessories

(see fig. page 101)

Ref. no.

- Heavy load drawer with safety locking 200-l drum, load-bearing capacity 250 kg 29-80970-069

- Drum lifter with quick lift, load-bearing capacity 300 kg 1.31.045*

- Drum gripper, load-bearing capacity 350 kg 1.31.103*

- Pipe-, cable- and hose penetration (re-sealable) 29-70000-045

- Pipe-, cable- and hose penetration 29-70000-048

- Exhaust air system or ventilator from page 223

- Red-Box 2.233.04

- Absorber from page 275

Dimensions and weight

		Outer	Inner
Width	in mm	895	799
Depth	in mm	745	595
Height	in mm	2080	1200

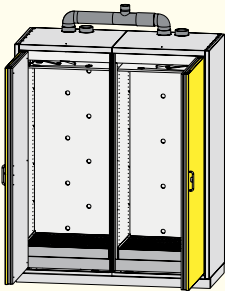
Weight in kg 442

For further technical details, see pages 102 to 103.

Max. storage capacity/standing surface

Quantity	Type of container	Size
2	drum	50/60 litre
1	drum	200 litre

1.5

COMPACT XXL
1.5.3 COMPACT XXL - Version XXL 1 60-l drums

COMPACT XXL - Version XXL 1 with:

2 bottom trays each for 60-l drums with grating and base

Ref. no.

- Interior fittings, sheet steel **29-201773-011**

Accessories

(see fig. page 101)

Material	Width in mm	Depth in mm	Height in mm	Ref. no.
----------	-------------	-------------	--------------	----------

- Shelf Sheet steel 790 580 35 29-81770-114

- Pipe-, cable- and hose penetration (re-sealable) 29-70000-045

- Pipe-, cable- and hose penetration 29-70000-048

- Exhaust air system or ventilator from page 223

- Red-Box 2.233.04

- Absorber from page 275

Dimensions and weight

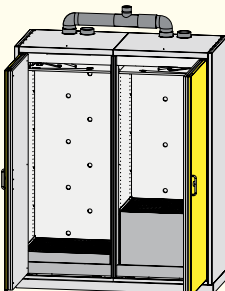
		Outer	Inner
Width	in mm	1655	2 x 744
Depth	in mm	745	2 x 595
Height	in mm	2080	1515

Weight in kg 895

For further technical details, see pages 102 to 103.

Max. storage capacity/standing surface

Quantity	Type of container	Size
2	drum	60 litre

1.5.4 COMPACT XXL - Version XXL 2 60-/200-l drums

COMPACT XXL - Version XXL 2 with:

1 bottom tray for 60-l drums/left, 1 bottom tray for one 200-l drum/right each with grating and base

Ref. no.

- Interior fittings, sheet steel **29-201773-033**

Accessories

(see fig. page 101)

Material	Width in mm	Depth in mm	Height in mm	Ref. no.
----------	-------------	-------------	--------------	----------

- Shelf Sheet steel 790 580 35 29-81770-114

- Heavy load drawer with safety locking 200-l drum, load-bearing capacity 250 kg 29-80970-069

- Drum lifter with quick lift, load-bearing capacity 300 kg 1.31.045*

- Drum gripper, load-bearing capacity 350 kg 1.31.103*

- Pipe-, cable- and hose penetration (re-sealable) 29-70000-045

- Pipe-, cable- and hose penetration 29-70000-048

- Exhaust air system or ventilator from page 223

- Red-Box 2.233.04

- Absorber from page 275

Dimensions and weight

		Outer	Inner
Width	in mm	1655	2 x 744
Depth	in mm	745	2 x 595
Height	in mm	2080	L-1515 R-1155

Weight in kg 895

For further technical details, see pages 102 to 103.

Max. storage capacity/standing surface

Quantity	Type of container	Size
2	drum	60 litre
1	drum	200 litre



COMPACT XXL - Version XXL 3 with:

2 bottom trays each for a 200-l drum each with grating and base

Ref. no.

- Interior fittings, sheet steel

29-201773-031

Accessories

(see fig. page 101)

Ref. no.

- Heavy load drawer with safety locking 200-l drum, load-bearing capacity 250 kg

29-80970-069

- Drum lifter with quick lift, load-bearing capacity 300 kg

1.31.045*

- Drum gripper, load-bearing capacity 350 kg

1.31.103*

- Pipe-, cable- and hose penetration (re-sealable)

29-70000-045

- Pipe-, cable- and hose penetration

29-70000-048

- Exhaust air system or ventilator

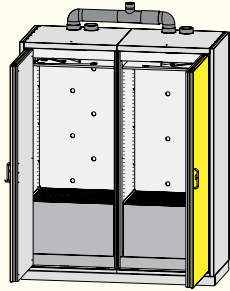
from page 223

- Red-Box

2.233.04

- Absorber

from page 275



Dimensions and weight

		Outer	Inner
Width	in mm	1655	2x744
Depth	in mm	745	2x595
Height	in mm	2080	1155
Weight	in kg	895	

For further technical details, see pages 102 to 103.

Max. storage capacity/standing surface

Quantity	Type of container	Size
2	drum	60 litre
1	drum	200 litre

1.5



Accessories - COMPACT line



ATEX Exhaust air systems for prevention of explosive areas in working spaces - see page 223.



Pipe penetration for stainless steel pipes, cables and hoses - up to Ø 28 mm possible. Flush mount, variable and re-sealable. Please ask for information.



Pipe penetration for stainless steel pipes, cables and hoses - up to Ø 28 mm possible. Please ask for information.



Modular Protection System for intelligent protection against unauthorised access - see page 200.



Heavy load drawer with safety locking for 200-l drums in light grey RAL 7035, see page 98.



Drum-lifter for picking up and transporting 200-l-drums. Optionally used in conjunction with heavy load drawer, see page 98.



Drum gripper for fork-lift truck to lift 200-l drums, see page 98.



Absorber cloths for rapidly mop up a wide range of spilled hazardous substances.

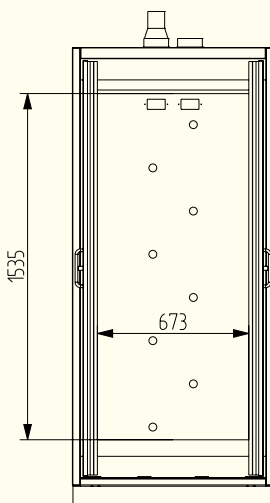
Technical specifications - COMPACT line - drum-cabinets

Technical details:

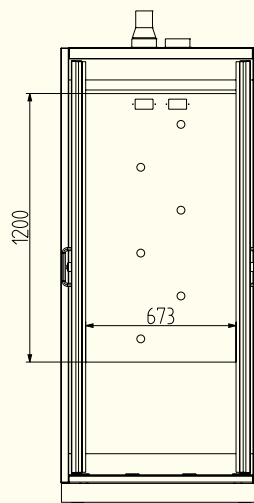
			Model size				
			LL 1	LL 2	XXL 1	XXL 2	XXL 3
Load bearing capacity with uniformly distributed load (maximum loadability/shelf)	in kg	Shelf	75	75	75	75	75
		Heavy load drawer	-	250	-	250	250
		Grating	250	250	250	250	250
Maximum volume of the largest individual container, which may be stored in the cabinet	in l	Left side	60	200	60	60	200
		Right side			60	200	200
Collection volume of the bottom tray	in l	Left side	66	220	66	66	220
		Right side			66	220	220
Volumetric flow rate for 10-fold air exchange	in approx. m ³ /h		9	9	2 x 8.5	2 x 8.5	2 x 8.5
Pressure drop in the cabinet	in Pa.		<1	<1	<1	<1	<1

Interior dimensions:

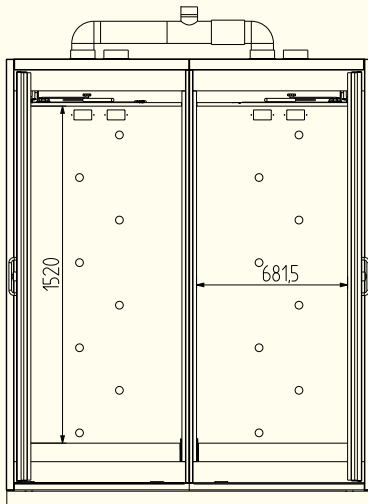
COMPACT LL 1



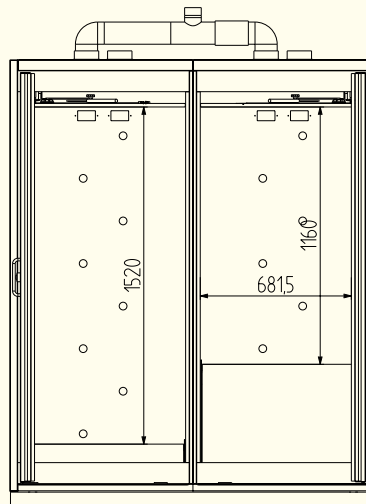
COMPACT LL 2



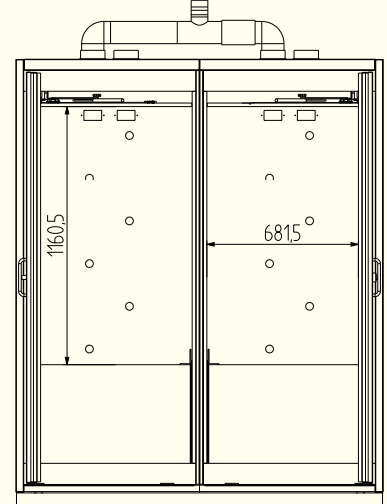
COMPACT XXL 1

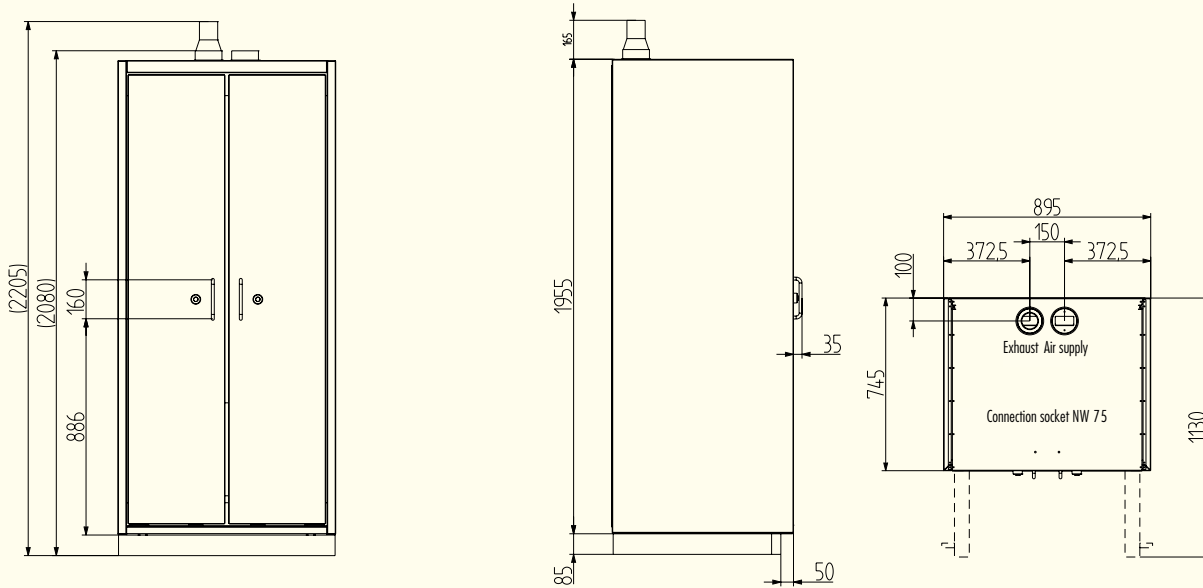
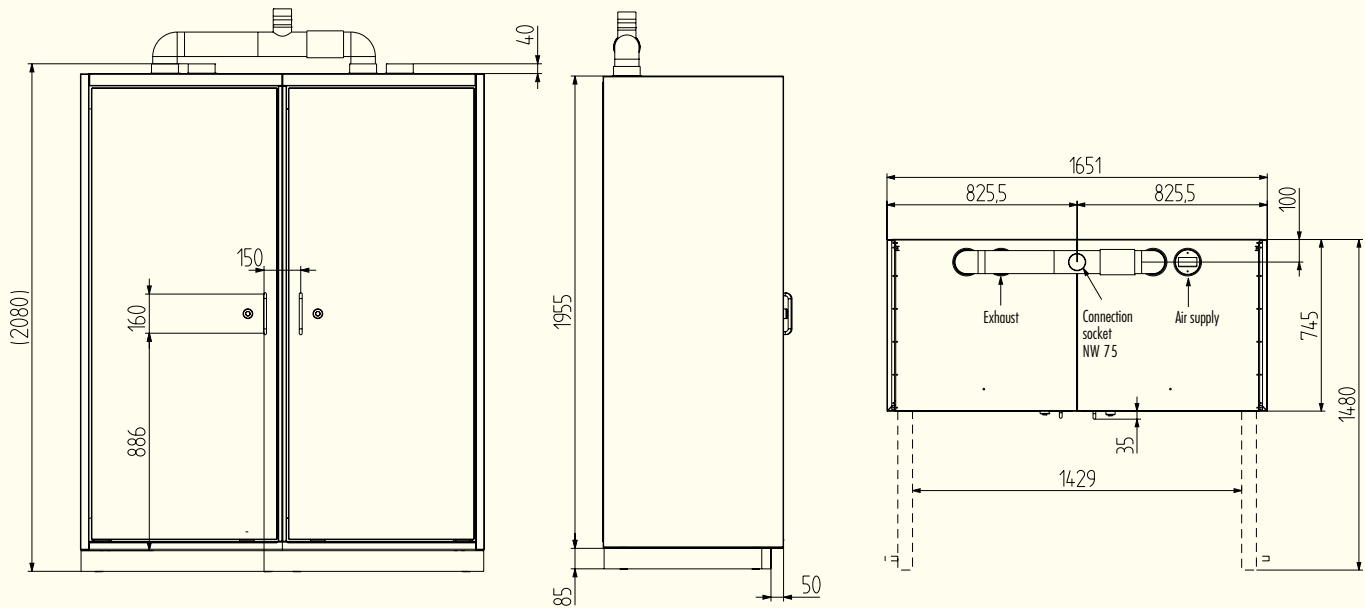


COMPACT XXL 2



COMPACT XXL 3



Front view
Side view
Top view
COMPACT LL

COMPACT XXL

1.5